

CANON

T 90

SERVICE MANUAL

EXPLODED VIEWS

AND

PARTS LIST

CANON INC. JAPAN

CANON T90 (C12-1902-000)

Preliminary Instructions

1. Electronic and written materials for the T90 have been integrated to make them even more valuable training aids. These instructions are designed to be used as a textbook with the video tape. Adjustments are explained as the stripdown progresses, rather than in a separate section.
2. Units and assemblies have been favored over individual parts in establishing the spare parts list. If unlisted individual parts are required, replace the unit or assembly. After a year of field experience, we will review the spare parts policy.
3. Accuracy of shutter speed and EV testing devices previously supplied by Camera Service are only guaranteed to 1/1000 second. Since this camera has 1/4000 second maximum shutter speed, care is necessary. We recommend using the new model tester (S-2201) which is guaranteed through 1/4000 second, but since this will not be possible in all cases, we have included alternate instructions for using the Multi-Shutter Tester EF-500 and an oscilloscope. See page 4. Shutter speeds faster than 1/1000 should not be used to check film plane exposure with the EF-500 either. If 1/4000 is used, the EF-500 will indicate overexposure when the exposure is actually correct.
4. This is the first Canon SLR to incorporate TTL-OTF flash metering. Because this system measures light reflected off of the film surface, a special film plane sensor that simulates the film surface must be used on the EF-500. This sensor is called the DIR-201 and it can only be used on units which are equipped with the necessary circuits for TTL-OTF flash metering. This modification was originally made for Olympus cameras but has recently been included on all EF-500s. If you have an older model, contact your local Kyoritsu agent for modification information.

5. This model's PMS shutter is different from the EMAS shutter used in the other T series cameras. Both curtains can be adjusted with the shutter mounted in the body so a special shutter mount for adjustment is not necessary. The curtain speeds and X sync can be adjusted with the shutter mounted in the body but operating independently. Shutter speed can only be adjusted after the electrical assembly is complete. The shutter is more expensive, so shutter repair, rather than replacement is recommended.
6. If power is applied directly to the camera with the battery case removed, solder a lead from the reset pad on the DC/DC convertor and connect it to the ground side of the DC power supply before power is applied to the camera. After power is applied, remove the lead from the ground. If this is not done the camera may not operate.
7. Color Code

To save space on drawings, it has been necessary to use a color code. The code is:

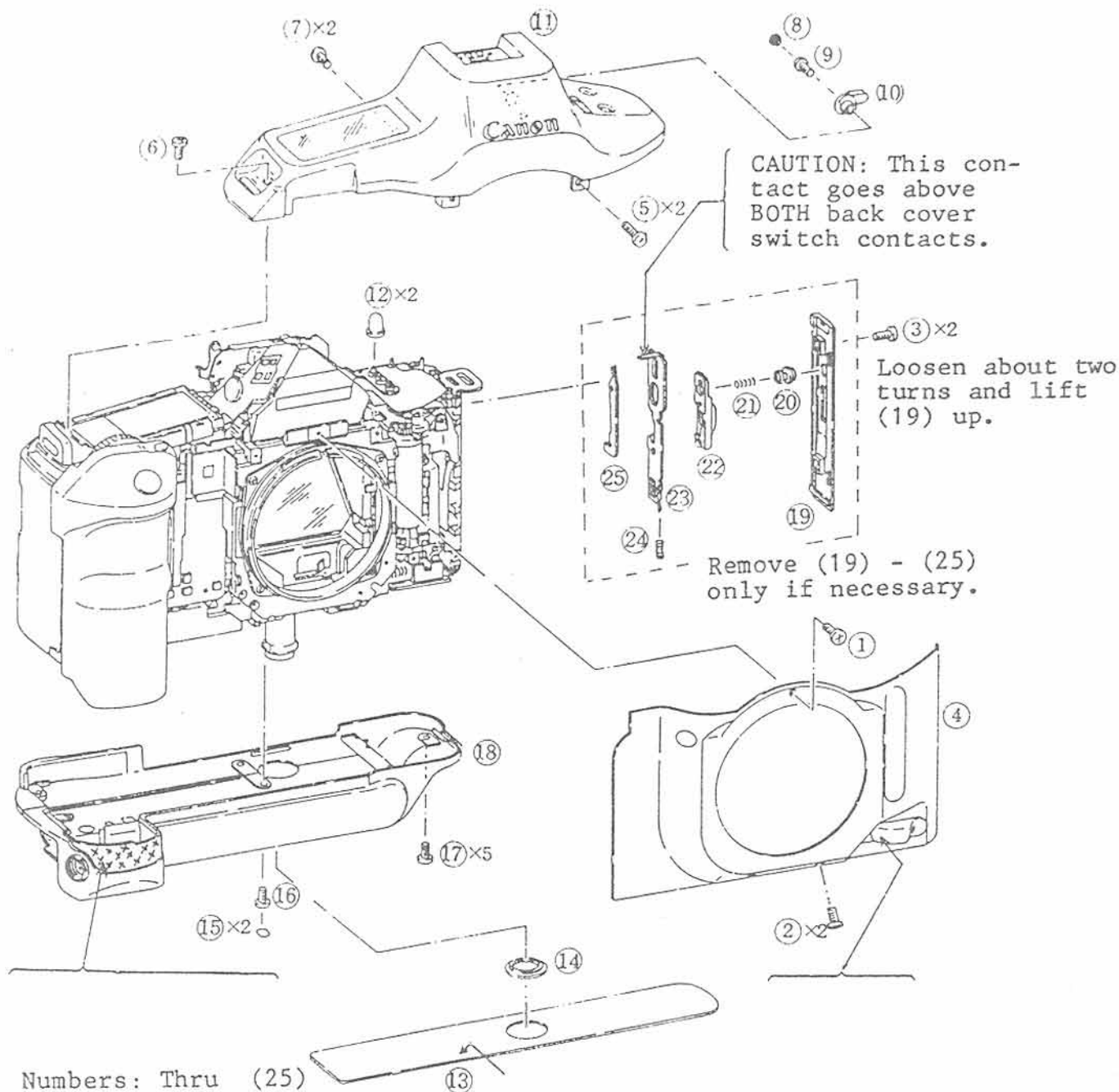
Color	Code	Color	Code	Color	Code
Black	BL	Blue	BU	Gold	GL
Brown	BR	Violet	V	Tan	T
Red	R	Purple	PR	Pink	PK
Orange	O	Gray	GY	Sky Blue	SB
Yellow	Y	White	W	Yellowish Green	YG
Green	GN	Silver	S		

TABLE OF CONTENTS

	Page	Address
I. Front Cover	1	A-7
Top Cover, Battery Case		
Disassembly Notes	1	A-7
Adjustments after Removing Front Cover		
1. Shutter Speed	3	A-9
Alternate Adjustment	4	A-10
2. Flash Aperture	5	A-11
3. Flash FLEK Intensity	6	A-12
4. TTL Intensity	6	A-12
5. Winding Inhibit Voltage	7	A-13
Adjustments after Removing Top Cover		
6. Film Leader Protrusion (Service)	8	A-14
7. Partial Metering Area Alignment	9	B-1
8. Spot Metering Area Alignment	10	B-2
9. Offset Adjustment	10	B-2
10. Aperture Accuracy	11	B-3
11. Level and Gain Adjustment	12	B-4
12. Viewfinder LCD Adjustment	13	B-5
II. Grip Removal		
Disassembly Notes	15	B-7
III. Main Flex Removal		
Disassembly Notes	17	B-9
Adjustments after Removing Main Flex		
1. Flash Mode Information	19	B-11
2. EV10 Amp Switching	20	B-12

	Page	Address
IV. Motor Flex Mirror Box & Rewind Unit Removal	21	B-13
Disassembly Notes	22	B-14
Adjustments after Removing Motor Flex		
1. AE Overcharge	24	C-2
2. Shutter Overcharge	24	C-2
Adjustments after Disassembling Front Panel Unit		
1. AE Set Position Adjustment	25	C-3
2. AE Set Timing	26	C-4
3. AE Eccentric Gap Adjustment	26	C-4
4. AE Start Position	26	C-4
5. AVO Adjustment	27	C-5
V. Drive	28	C-7
& DX Sensor Units Removal		
Disassembly Notes	29	C-8
VI. Shutter Unit Removal	30	C-9
Disassembly Notes	31	C-10
VII. Pentaprism Unit Disassembly	32	C-11
VIII. Mirror Box Disassembly	33	C-12
IX. Drive Unit Disassembly	34	C-13
X. Shutter Unit Disassembly	36	D-1
XI. Grip Head Unit Disassembly	39	D-4
XII. Flex Units & IC Replacement Adjustments Table	40	D-5
Shutter Speed Variation Chart	41	D-7
XIII. Operational Currents	42	D-9

I. Front & Top Covers, Battery Case Removal



Disassembly to the extent shown allows the following adjustments to be performed.

Index No.	Adjustment (Page No.)
4	Shutter Speed (3,4); Flash Aperture Info (5); Flash FELK, TTL intensity (6); Winding Inhibit V (6)
11	Film Leader Adj. (7); P meter pattern position (8) Offset Adj (9); Aperture Accuracy (10); Gain & Level (11, 12); Finder LCD (11)
18	Curtain TT (2,3) (2nd Ctn- remove Ext LCD screws also

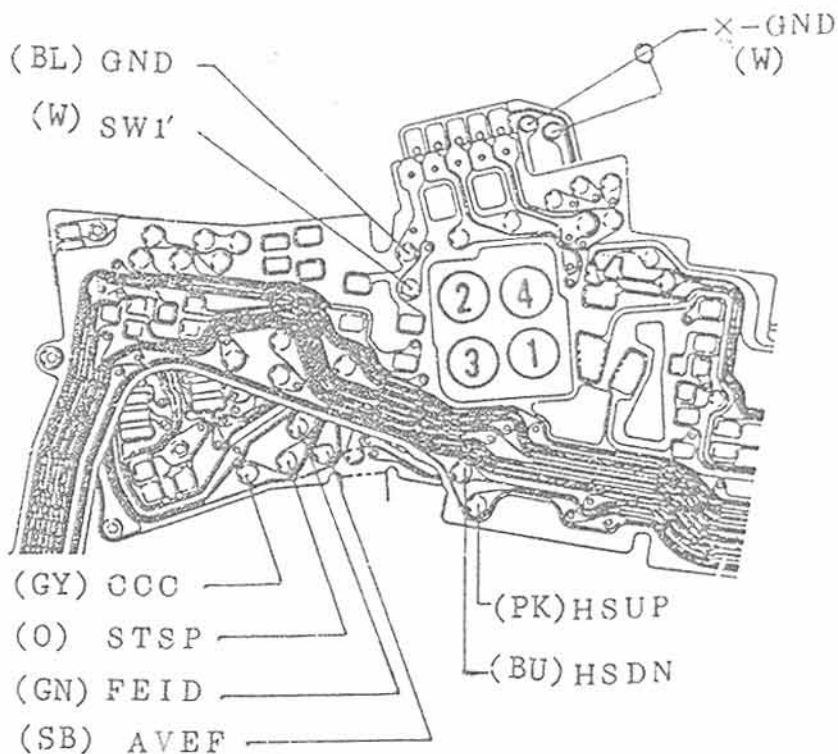
1. Front Cover (4)

1.1 To remove the front cover (4), lift the hook cover (19).

1.2 When reassembling, slip the left (grip) end of the cover in first.

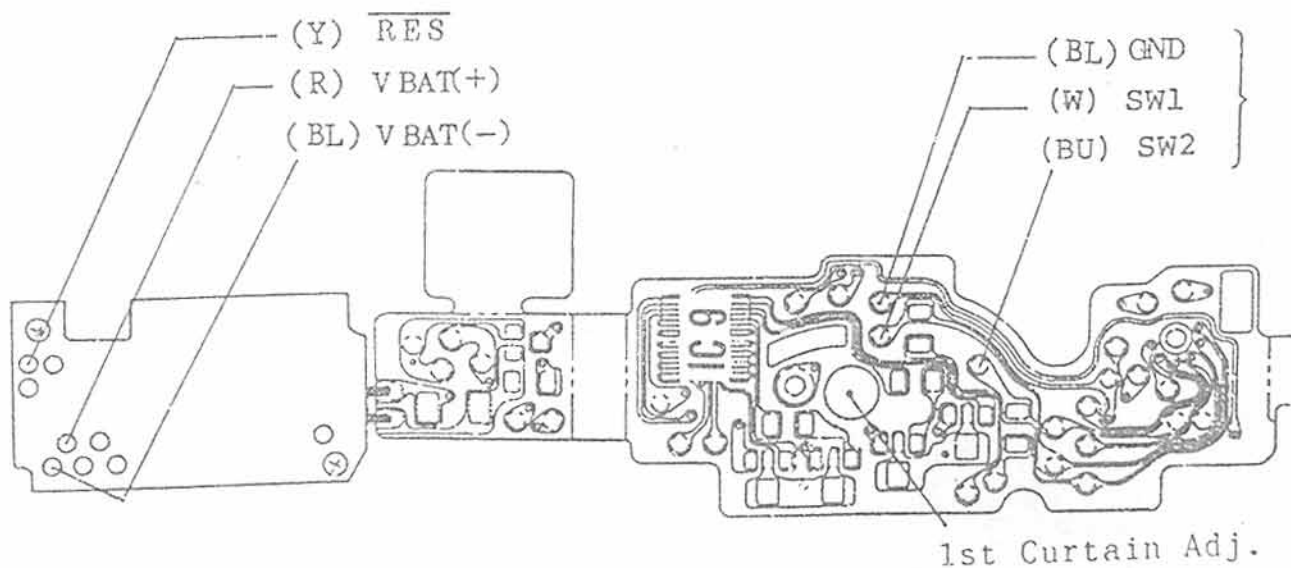
2. Top Cover (11)

Nine lead wires (one is shielded) connect the main flex to the top cover.



3. Battery Case (18)

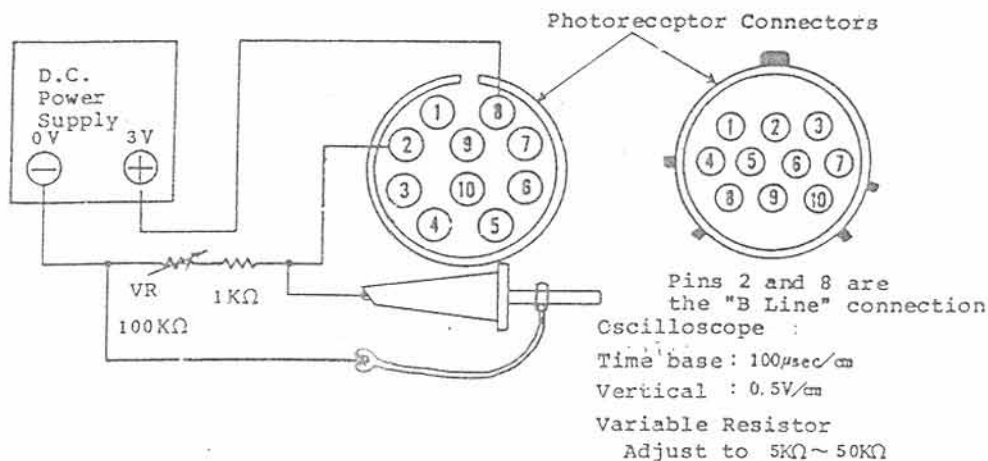
Six lead wires connect the motor flex and DC/DC convertor with the remote switch and battery contact.



ALTERNATE ADJUSTMENTS

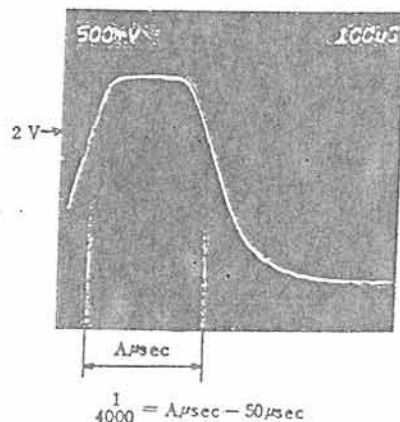
1/4000 sec. Adjustment with Oscilloscope

This adjustment uses the photosensor of the EF-500 connected to an oscilloscope to check the 1/4000 sec. shutter speed. Before this adjustment, adjust the curtain travel time with the EF-500.



Procedure

1. Connect the EF-500 photosensor to the oscilloscope as shown.
2. Set the EF500 to EV12 and K14.03. Put the photosensor in the film aperture.
3. Set the camera to a long shutter speed or bulb, and release the shutter. While the shutter is open, adjust the variable resistor so the line on the oscilloscope is on 0.5V.
4. Reset the EF500 to EV15 and the camera to a 4000th, and release the shutter.
5. Read the width of the waveform at 2V. It should be 294 us.
6. Adjust VR8 so the width at 2V is as close as possible to 294us.



Note Using the EF-500 to adjust 1/4000 sec. will result in a slow shutter speed (about 0.37ms). The EF-500 can be used by taking an average of several good cameras. Another possibility is adjusting at 1/1000sec. as a midpoint, but since the accuracy of the EF-500 is $\pm 0.1\text{EV}$, this would allow a $\pm 0.4\text{EV}$ at 1/4000 sec. even if the 1/1000 sec. adjustment was perfect (0.98ms). Because of the possible error, we do not recommend this method.

2. Flash Aperture Information (AVEF)
Adjust when IC4 or main flex is changed.

Standard: Selected Aperture ± 0.4 f/stops

Tools: Standard tool 50mm f/1.4; Speedlite with manual aperture setting (277T, A-series Speedlite).

Adjustment:

1. Adjust VR5 until the f/stop displayed in the viewfinder matches the one set on the speedlite.
2. Release the shutter and check that the lens stops down to the displayed aperture ± 0.4 f/stops.

ALTERNATE ADJUSTMENTS

If an appropriate speedlite is not available, use a hot shoe (foot) from an A or T series flash and,

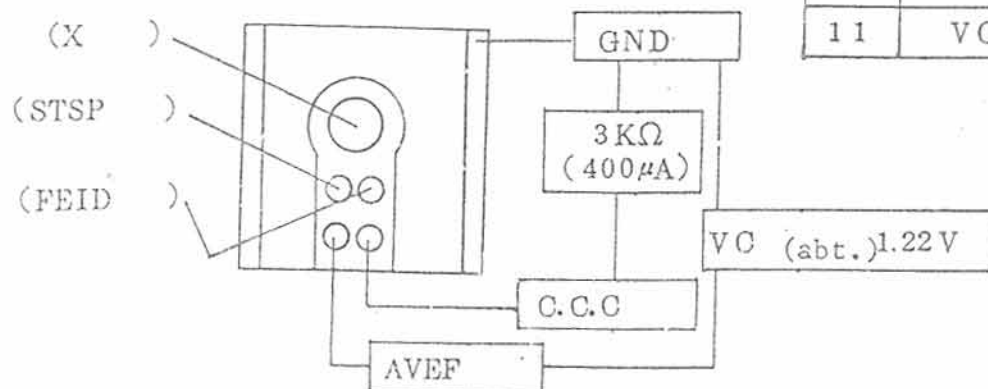
1. Read and record the VC voltage at the CCC terminal.
2. Apply VC to the AVEF terminal to set f/4.0.
3. Install a 3Kohm resistor between CCC and ground to set the flash mode (1/250).
4. Turn SW1 on and adjust VR5 so f/4 appears in the finder.

C.C.C Current

I (μ A)	Mode
0	A E
250	1st Cur. sync (non-ded.)
400	1st Cur. sync (dedicated)
800	2nd Cur. sync (dedicated)

AVEF Voltage

F.No	AVEF V
1.4	$VC + 3/16 VC$
2.0	$VC + 2/16 VC$
2.8	$VC + 1/16 VC$
4.0	VC
5.6	$VC - 1/16 VC$
8.0	$VC - 2/16 VC$
11	$VC - 3/16 VC$



To check X sync, wire as above and set shutter speed priority (TV). Connect the sync to the shutter tester. The tester should read:

Flash (X) Sync.

A Line: Over 0.2ms

B Line: Over 1.6ms

ADJUSTMENTS

- 3.& 4. Flash FELK & TTL Intensity Adjustments
Adjust if main flex is changed.

Standard: $+0.7 \pm 0.5$

Tools: Speedlite 300TL, EF-500 with DIR-201 photoreceptor,
18% gray card (2m X 1m), FD 50mm f/1.4 lens.

Adjustment:

1. Lower the ambient light to EV6 or less, and set the EF-500 to the DIR-201 mode and K=12.5.
2. Point the camera directly at the gray card at a distance of two meters.

Adjustment:	FELK	TTL
3. Equipment Settings:		
Shutter Speed	1/250	
Aperture	f/5.6 (Stop-down mode)	f/5.6 (Manual mode)
ISO	100	

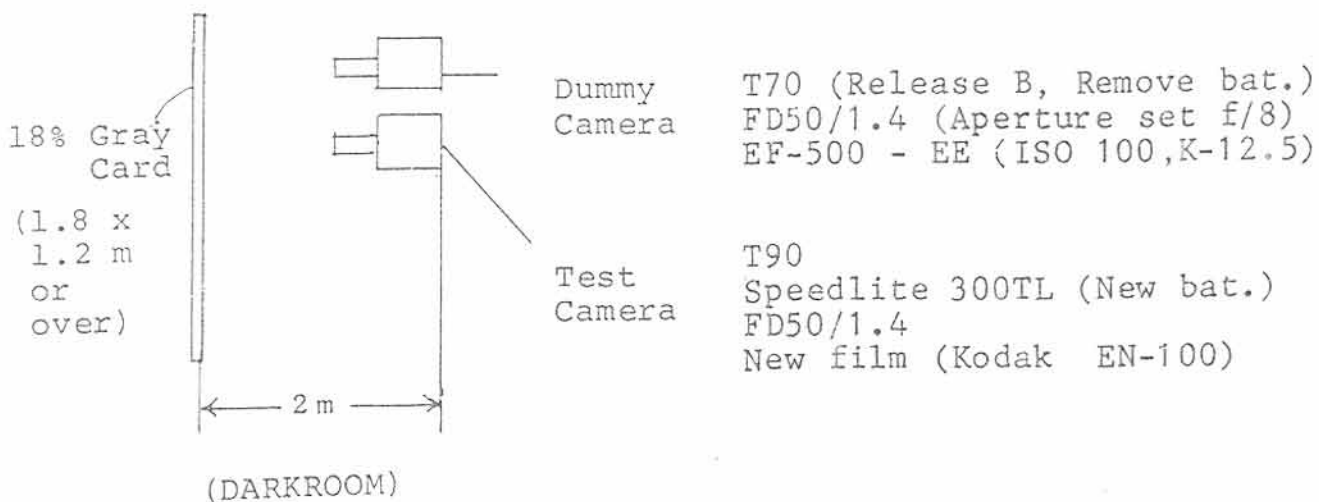
- | Adjustment | VR6 | VR7 |
|---|----------|------------------|
| 4. Set flash to 35mm and mode to: | FEL Mode | TTL Program Mode |
| 5. Put the EF-500 photosensor in the film aperture, press the spot button, and after the preflash, release the shutter. | | |
| 6. Adjust until the EF-500 reading is within ± 0.5 f/stop of the standard, with the appropriate variable resistor. | | |

ALTERNATE ADJUSTMENTS

If your EF-500 is not modified for TTL-OTF Flash, a second camera is used to measure the film plane illumination. Since it is practically impossible to fire two cameras at the same time, this procedure is performed in a darkroom with the second camera on bulb. The cameras must be fitted with identical lenses working at the same aperture.

ADJUSTMENTS

- Set up the equipment as shown in the figure.



- Release the shutter on the test camera and read the EF-500 reading from the dummy camera. Standards are the same as for the normal procedure.
- If the 18% gray card reflector is not available, make an average of several cameras to establish the center values.

Note: The maximum film reflectance variation from the representative film is 0.7EV.

Note: See the EF-500 instructions for information concerning the DIR-201 photoreceptor for the EF-500.

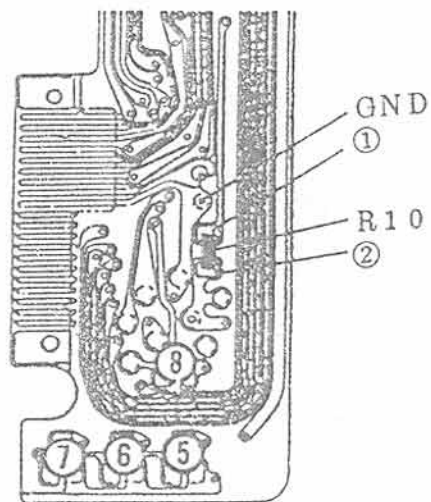
- Winding Inhibit Voltage Adjustment
Adjust if IC4 has been replaced.

Standard: $3.6 \pm 0.2V$ ($R_{BAT} = 1/2 V_{BAT}$)

Tools: Voltmeter

Adjustment:

- Measure and record as V_{BAT} the voltage from (2) to GND.
- Press the battery check, measure and record as R_{BAT} the voltage from (1) to GND.
- Change R10 so $R_{BAT} = 1/2 V_{BAT}$.

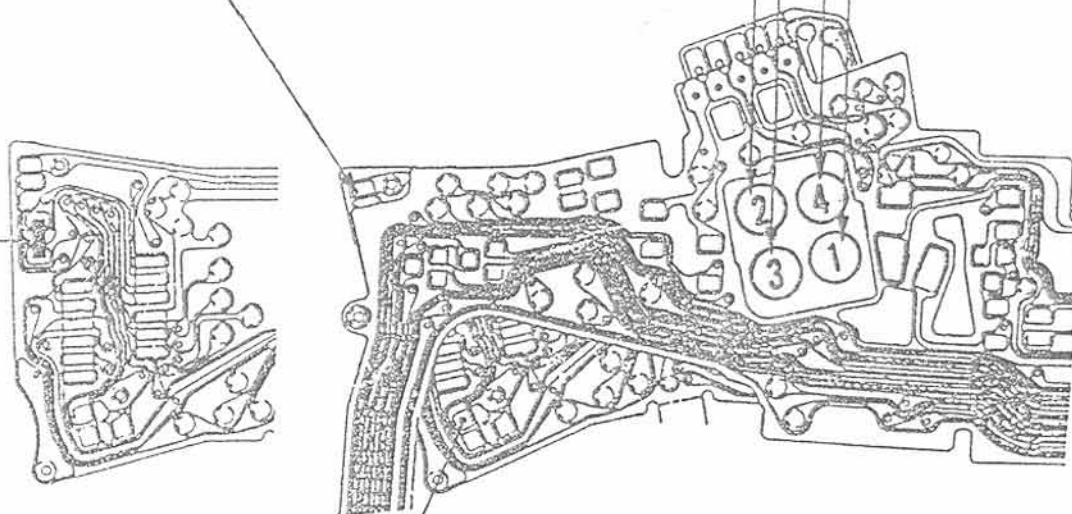


ADJUSTMENTS

ADJUSTMENTS POSSIBLE AFTER REMOVING TOP COVER

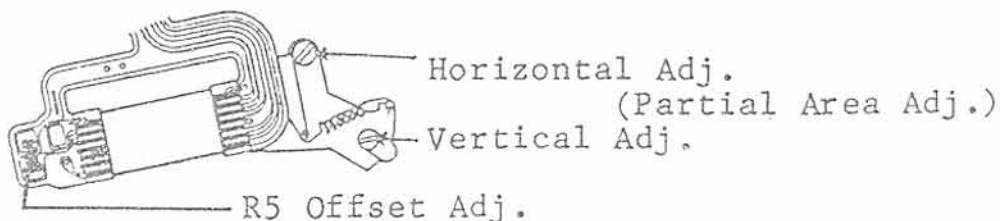
Film Leader Protrusion Pads:
Bridge these pads to leave
leader protruding from the
cartridge.

VR4 Level (A)
VR3 Level (P)
VR2 Level (S)
VR1 Gain Adj.



Aperture Accuracy Adj.

R13 Viewfinder LCD Adj. (check by lifting upper flex slightly)



6. Film Leader Modification (Service Action)

If a user prefers that the film leader not rewind completely into the cartridge, bridge the two pads.

ADJUSTMENTS

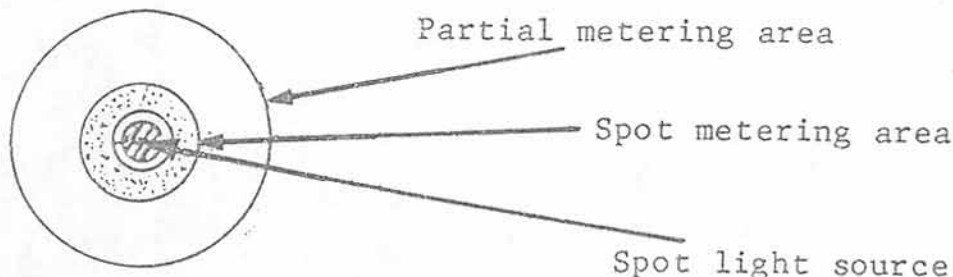
7. Partial Metering Area Alignment

Perform this alignment if the eyepiece shutter, IC1, or the main flex has been changed.

Tools: EV Tester (EF-500), FD 50mm f/1.4 lens, point light source plate (black, at least 12 X 18cm, with a 12mm hole in the middle).

Adjustment:

1. Place the point-source plate over the light source on the EF-500.
2. Set the metering area to partial (P), the mode to Program (or AV), the lens to f/5.6, and activate the stop-down slide. (Setting the lens to f/5.6 emphasises the difference between the dead spot in the center of the photo-cell and the sensitive area. This simplifies the alignment.)
3. Square the camera with the light source at the closest focusing distance of the camera. Set the lens focusing ring to the closest distance also.
4. Center the focusing aid on the source and read the shutter speed.
5. Release SW1 and move the focusing aid off-center. Push SW1 again and if the shutter speed drops, the alignment is not correct.
6. Adjust so the light source spot falls within the microprism circle
7. Adjustments are indicated on page 8. (The T70 check can also be used.)



8. Spot Metering Area Alignment

Adjust if mirror unit has been changed. (Only vertical adjustment is possible. Horizontal is determined by parts.) The spot flex, IC2 and fresnel lens are supplied as a pre-adjusted unit, so adjustment is only necessary if mirror unit is changed. Set the sub-mirror eccentric as set in the removed mirror unit and there is almost no problem.

Tools: Same as partial adj., plus New F-1 shutter adjustment spanner (CY9-6136-000)].

Adjustment:

1. After adjusting the main mirror angle, assemble the camera into the operational condition. (The adjustment can be performed with the camera completely assembled).
2. Place the point-source plate over the screen on the EF-500.
3. Set the metering area to spot (S), the mode to Program, the lens to f/5.6, and set the stop-down slide. (Setting the lens to f/5.6 makes the metering spot very nearly round.)
4. Square the camera with the light source at the closest focusing distance of the lens. Set the lens focusing ring to the closest distance also.
5. Center the focusing aid on the point source and read the shutter speed.
6. Move the focusing aid off-center vertically. The upper and lower off-center readings should be the same (within 1EV).
7. Adjust the sub-mirror eccentric stopper through the film aperture (with the shutter open at "B").
8. The main mirror angle has a greater effect on the metering area than the sub mirror, and IC2 and the spot fresnel have a greater effect than either mirror.

9. Offset Adjustment

Perform this adjustment if IC1 is replaced.

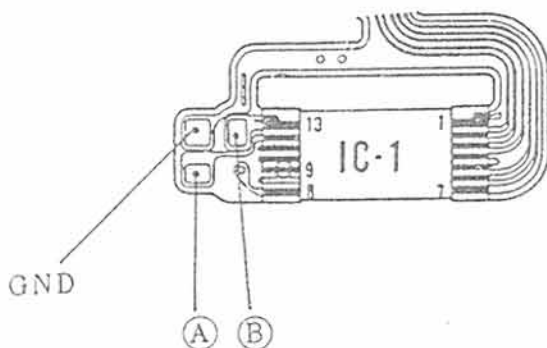
Standard: $0 \pm 2\text{mV}$

Tools: Voltmeter

Adjustment:

1. Short MOS IN (p 9) to MOS OUT (p 7), and check the voltage at TP (p 8).

2. If the voltage is greater than $\pm 2\text{mV}$, install a 100K Ohm resistor from either A or B to ground and adjust the resistor voltage at TP is less than 2mV. Install a fixed resistor of the value determined by the variable.



Note: The spot metering IC2 is a factory-adjusted part of the spot flex, so offset adjustment is not required.

10. Aperture Accuracy

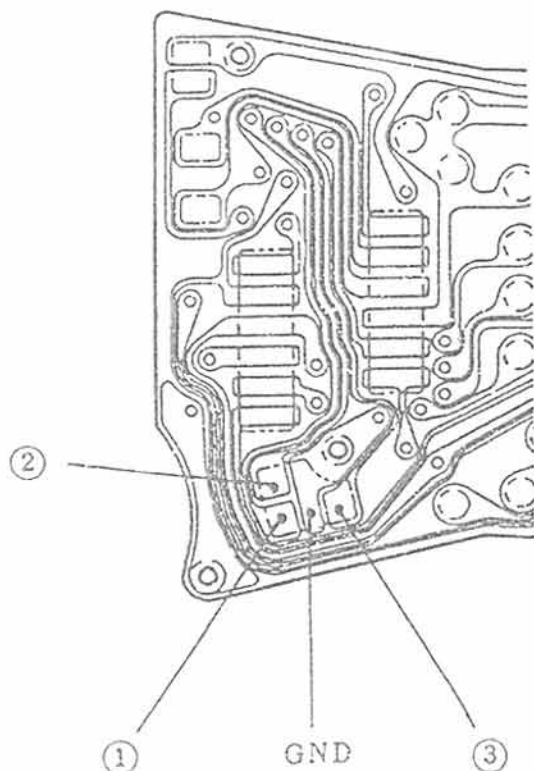
Perform this adjustment if AE Unit or main flex is replaced.

Standard: $f/5.6 \pm 0.3f/\text{stop}$

Tools: Standard Tool Lens 50mm f/1.4

Adjustment:

1. Set the camera in the AV mode at f/5.6. Repeatedly release the shutter and check the aperture set on the lens.
2. If necessary, bridge the appropriate pads as shown by the table. (When replacing the main flex, note the bridged pads and bridge the same pads on the new main flex.)



Correction

①	②	③	Correction
			+ 3/8
		○	- 2/8
	○		+ 1/8
	○	○	0
○			- 1/8
○		○	- 2/8
○	○		- 3/8
○	○	○	- 4/8

○: Indicates grounded pad

11. Level and Gain Adjustment

Perform this adjustment if IC4 or the main flex is replaced.

Standard: $0 \pm 0.4F$

Tools: EF-500, AE Standard Tool Lens FD50mm f/1.4, Top cover modified for adjustments (access holes for VR1 - VR4).

Aperture accuracy must be adjusted before this adjustment.

Perform in order, level and then gain.

If the AE Tool lens is not available, see section 11.A.

11.1 Level Adjustment

1. Set the EF-100 to EV12, K=12.5, and ISO 100, and the camera to 1/125, Spot metering and ISO 100.
2. Adjust the level variable resistors so the tool lens pointer stops at f/5.6.
Spot- VR2, Partial- VR3, Average- VR4

11.2 Gain Adjustment

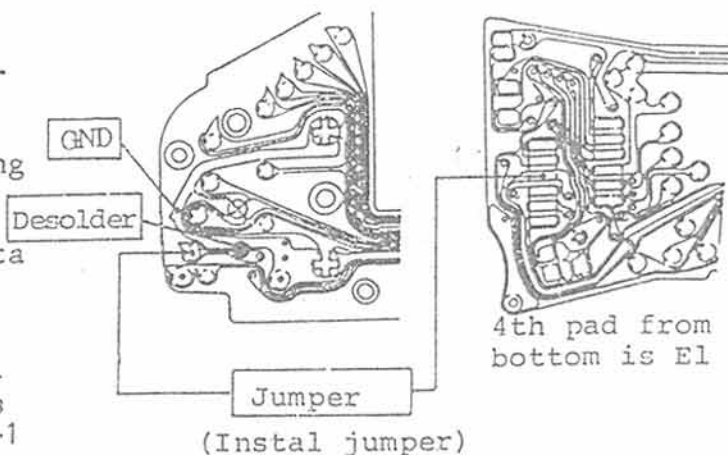
1. Set the EV-500 light source to EV6, the camera to partial metering and 1/2 sec shutter.
2. Adjust VR1 so the tool lens pointer stops at f/5.6.
3. After adjusting both level and gain, check exposure accuracy at EV6, 9, 12, and 15.

11.A. Level and Gain Adjustment (without Tool Lens)

(This adjustment uses the outputs of AR1 and AR2 rather than the tool lens pointer position to make the adjustment. - The procedure is the same.)

Procedure

1. Prepare the circuit as shown and install the temporary top cover.
2. Turn SW1 on and watch the viewfinder LCD while making the adjustment.
3. Change the metering mode by shorting the bottom data back terminal to the film plane ground pin as necessary.
4. In the shutter speed indication, the right 2 digits indicate the output of AR-1 and the left 2 AR-2.
5. As the data back ground (step 3) is opened and closed, the aperture digits indicate the three metering modes, 03(BV-Spot), 02(BV-Partial), 01(BV-Average), then 00(VC), 07(BC), 05(AV EF), 05(EF_{pre}), 04(EF_{others}) and back to 03.



6. For example:

```
CE ** 01
A  B  C
```

A: AR1 output
B: AR2 output
C: Average mode

This shows that the EV12 adjustment of AR1 is correct.
**: AR2 output is not important at EV12.

7. At EV12 the readings should be: D2 in 03 mode, D0 in 02, and CE in 01 mode.

EV	AR1			AR2		
	(A 01)	(P 02)	(S 03)	(A 01)	(P 02)	(S 03)
15	9F	AO	A2			
14	AE	BO	B2			
13	BE	CO	C2			
⑫	CE	DO	D2			
11	DE	EO	E2			
10	EE	FO	F2	26	28	2A
9				36	38	3A
8				46	48	4A
7				56	58	5A
⑥				66	68	6A
5				76	78	7A
4				86	88	8A

8. Gain adjustment, at EV6 in partial mode, should give a reading of :

```
** 68 02
A  B  C
```

**: AR1 output is not important at EV6.

Notes: At low brightnesses, AR1 low output is indicated by "FF", and at high brightnesses AR2 output is high and not usable.

AD output of AR1 and AR2 is a 16 bit per EV signal.

12. Viewfinder LCD Adjustment

Perform this adjustment if IC4 is replaced.

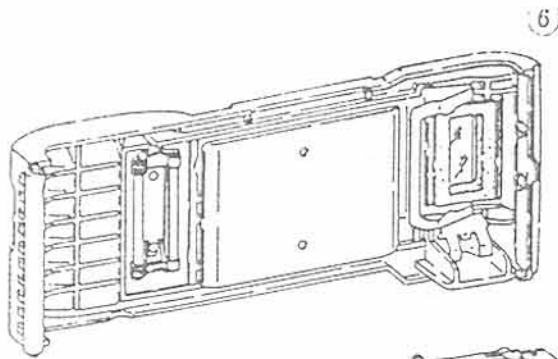
Standard: Visual Check

Tools: Variable Resistor (About 10K Ohms), FD Lens

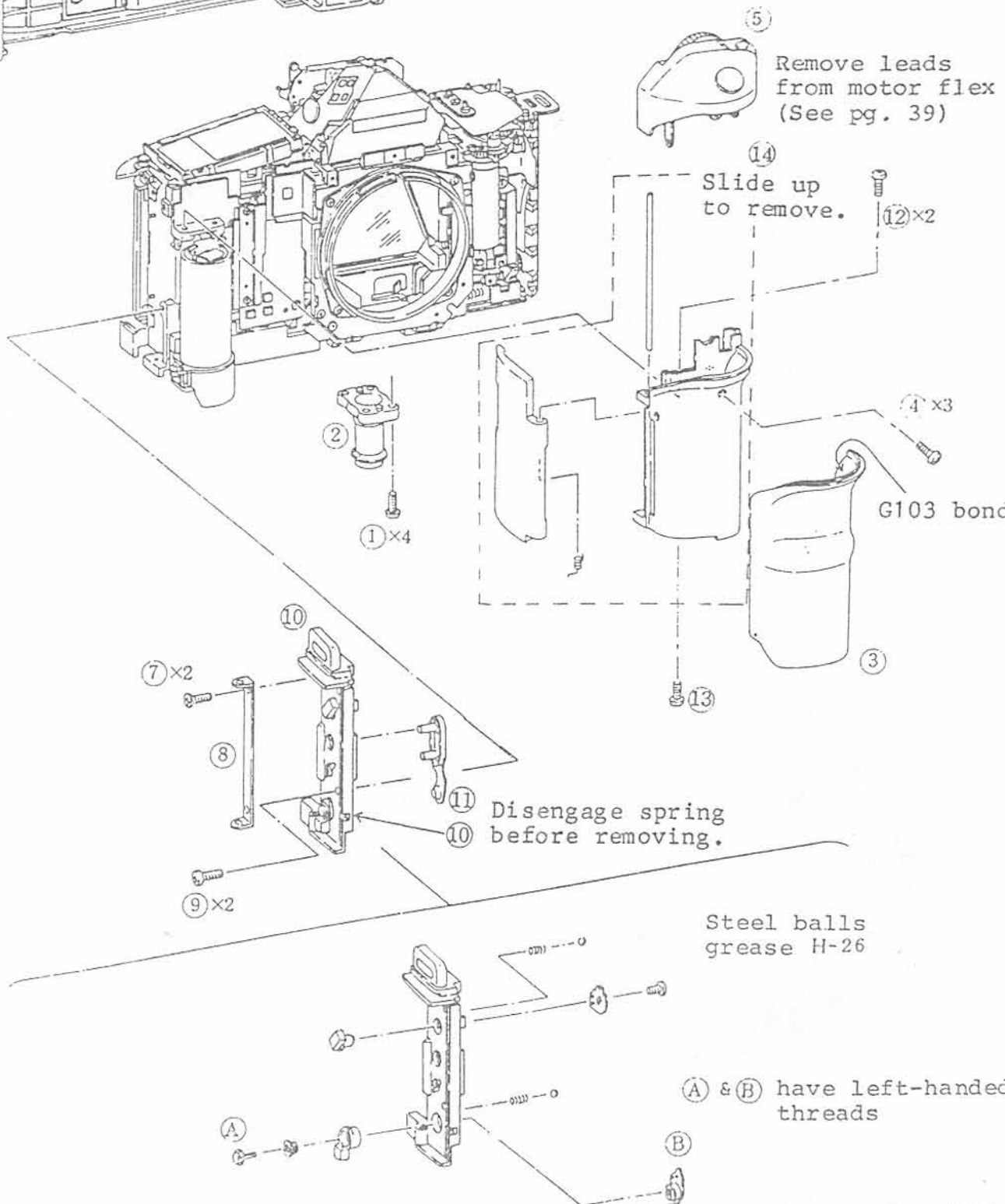
Adjustment:

1. Remove R13 and install the variable resistor in its place.
2. Set the spot metering mode, the lens to "A", and press the spot button to activate the 30 second timer.
3. Adjust the variable resistor so that the segments that should be visible are and the ones that should not be visible are not.
4. Remove the variable, read it and install the closest fixed resistor.

II. Grip Removal

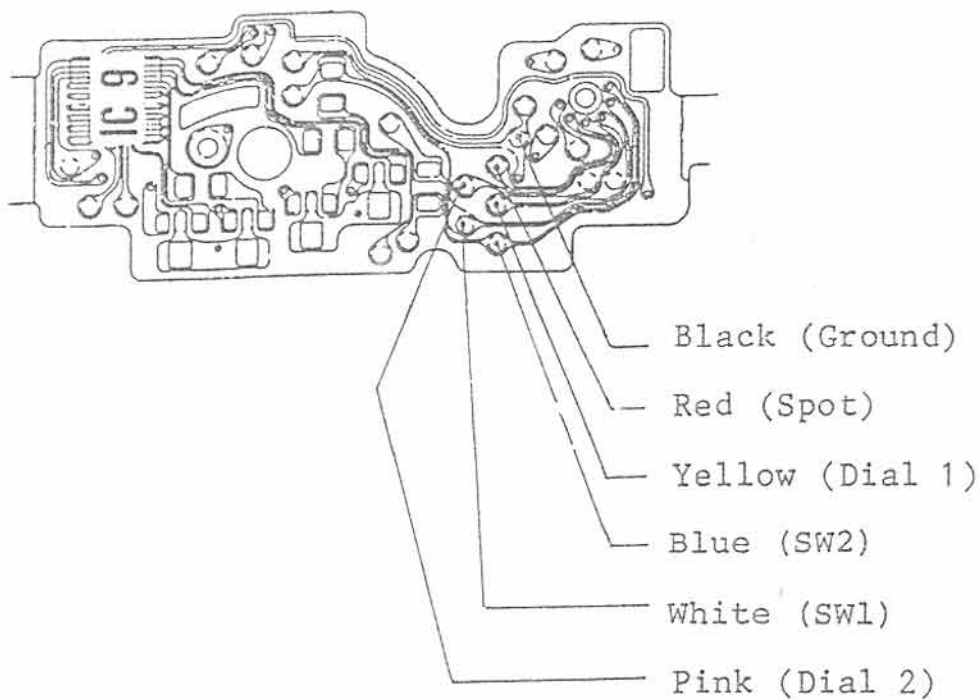


Lozoid #72090 on roller shaft



1. Grip Head Unit (5)

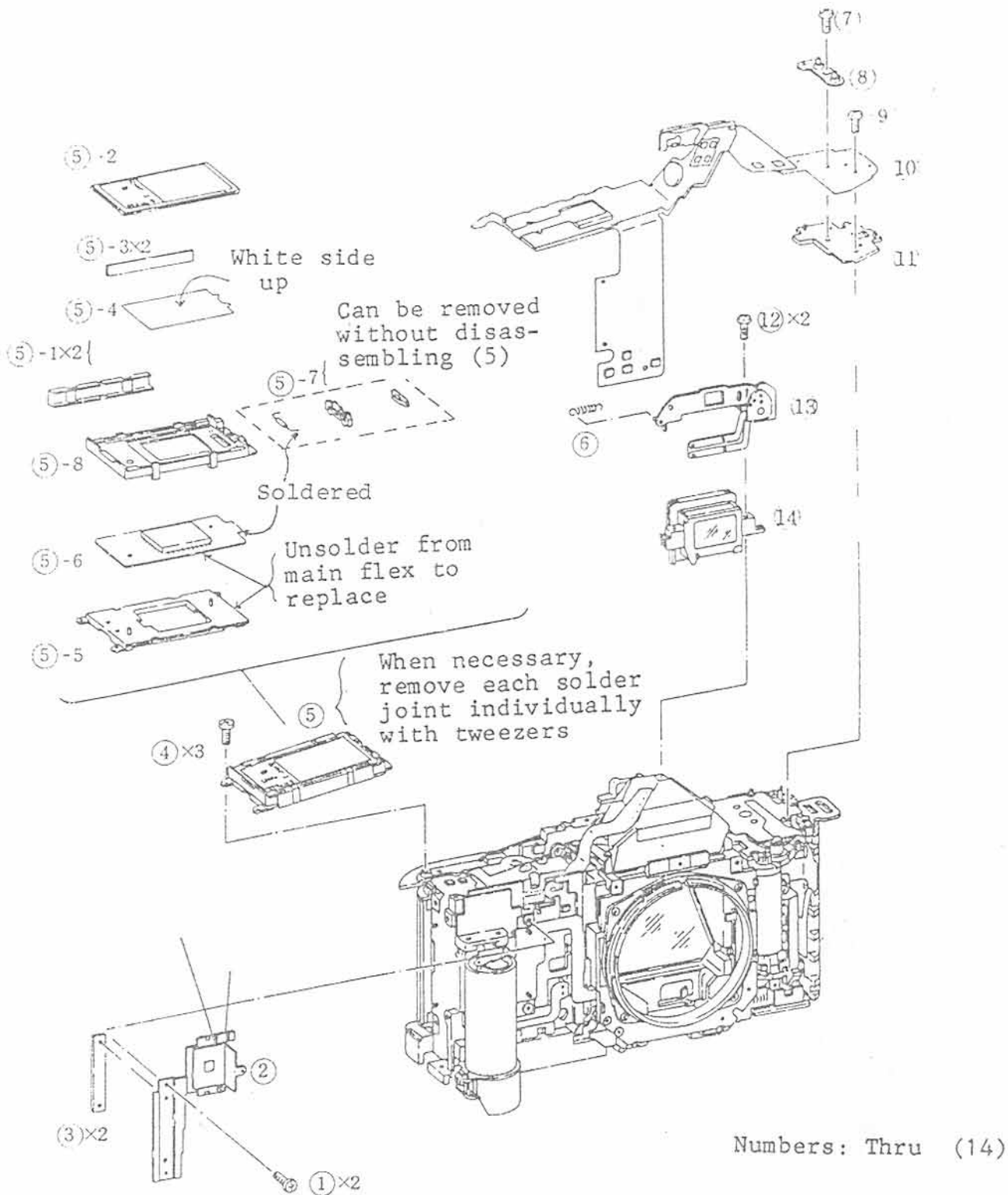
Six leads connect the grip head to the motor flex.



2. Grip (14)

Switch Panel Assembly (10) must be removed before Grip (14) can be removed.

III. Main Flex Removal



Disassembly to the extent shown allows the following adjustments to be performed.

Index No.	Adjustment (Page No.)
10	Flash Mode Information (19)
	EV10 Amplifier Switching (20)

1. Main Flex Unit (10) Removal

There are 33 leads, 3 Thru-Hole connections, and direct connections to the shutter flex and the FD flex that must be removed to remove the main flex unit.

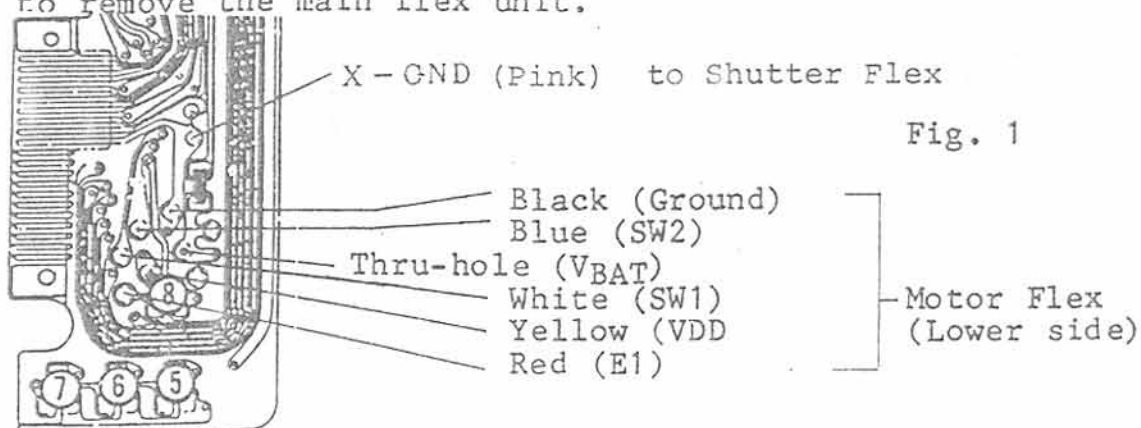


Fig. 2

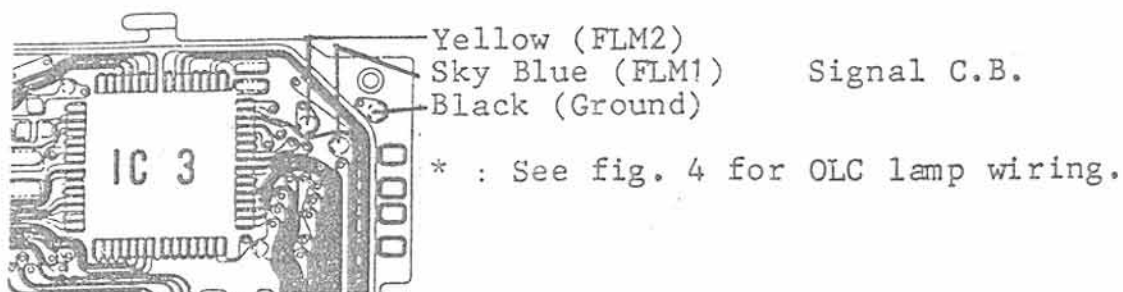
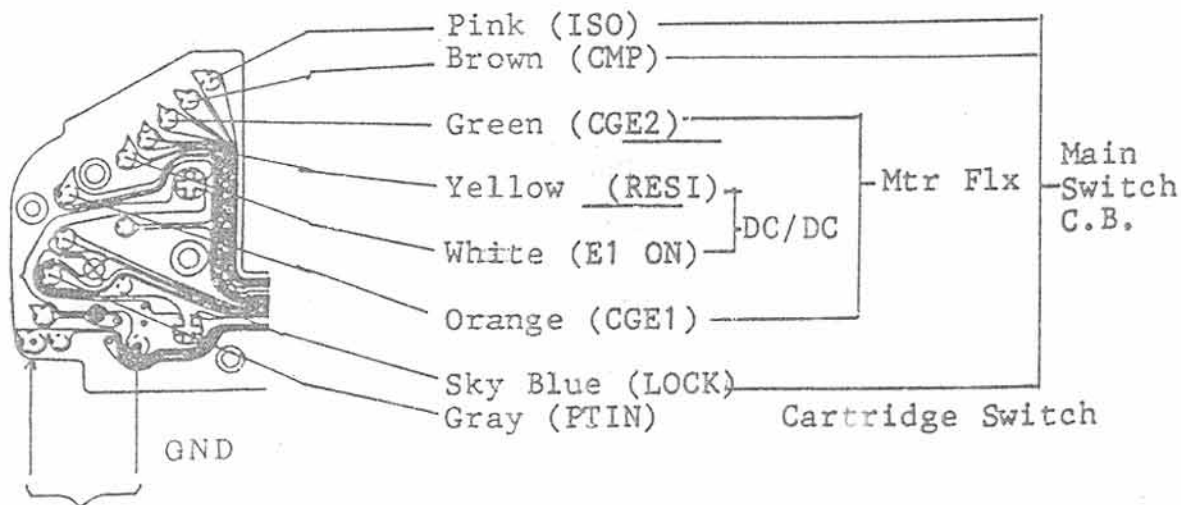


Fig. 3



Thru-hole connections
(Back Cover Switch)

OLC Lamp Connecting Pad

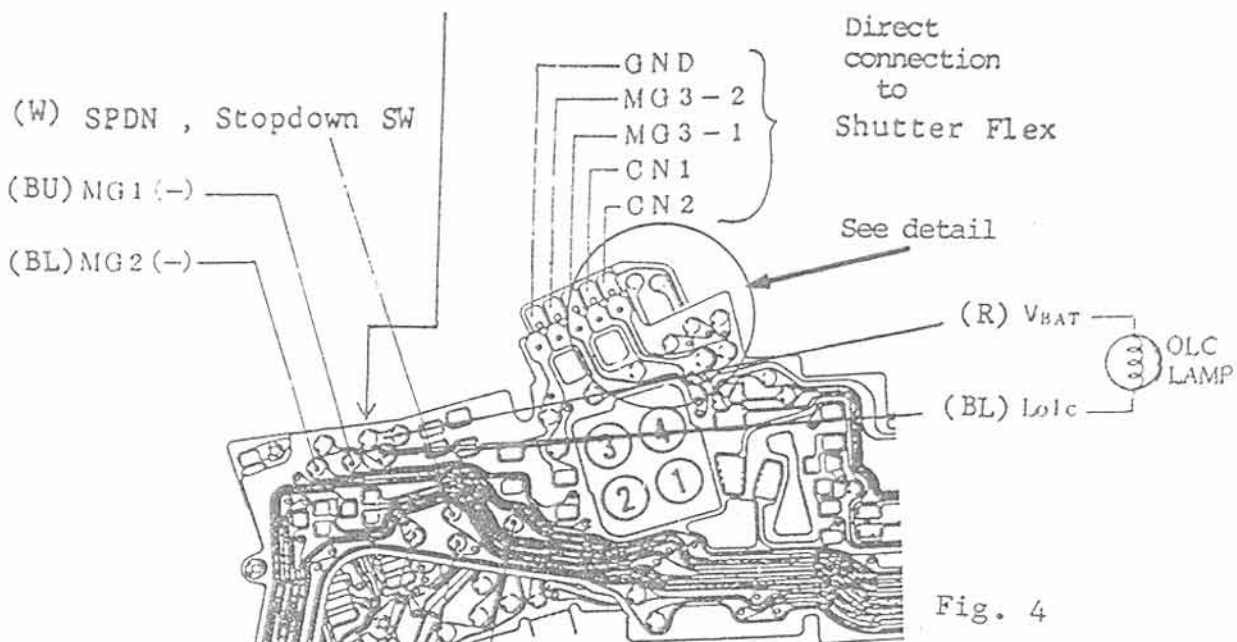


Fig. 4

DETAIL: Early Production (Z12-A04)

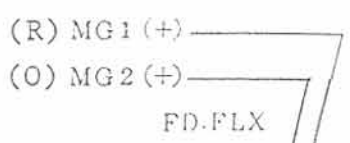
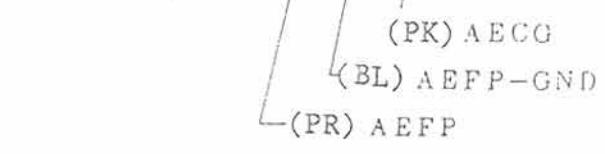
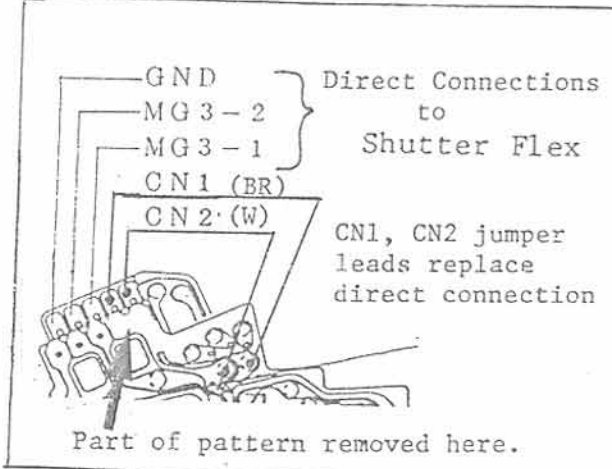
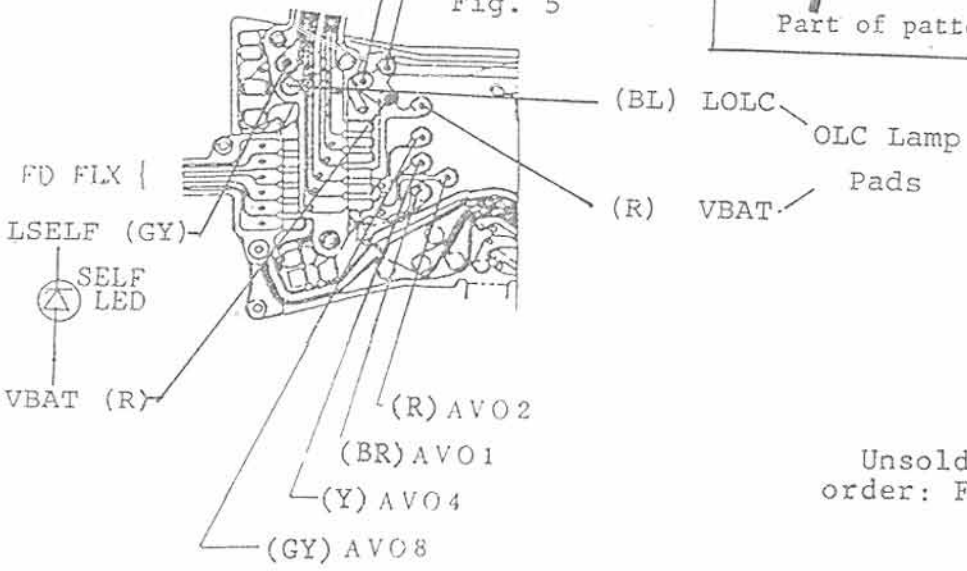


Fig. 5



Unsolder in this order: Fig. 1,5,4,3,2.

ADJUSTMENTS

1. Flash Mode Information

Adjust when IC4 is changed. (If incorrectly adjusted, the flash mode information will not be correctly sent to camera.) Perform the EV10 crossover adjustment concurrently.

Tools: D.C. Power Supply, Voltmeter, two 10K variable resistors

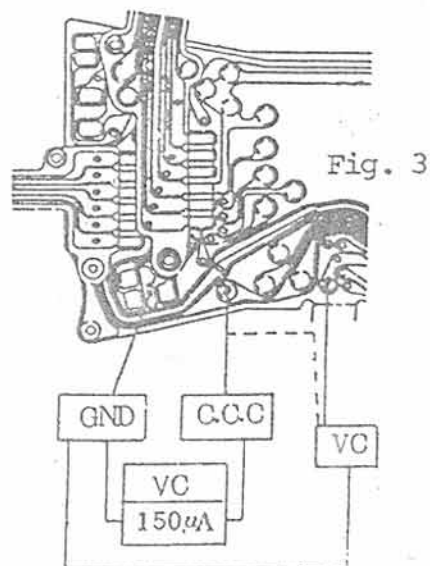
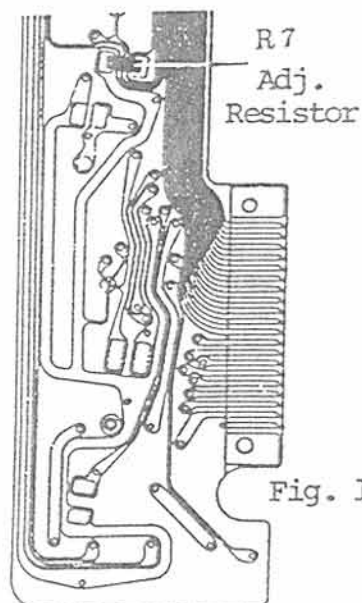
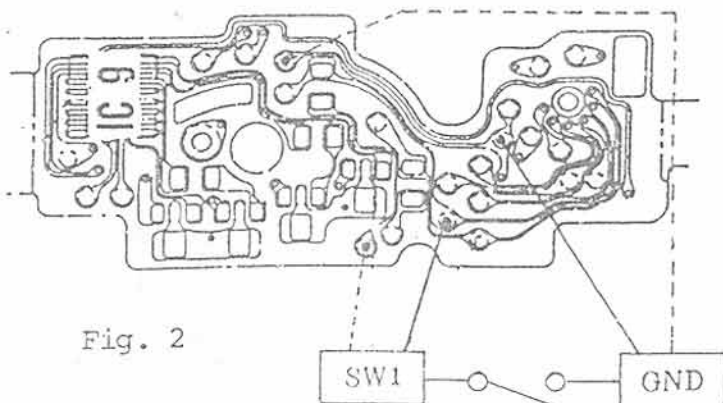
Adjustment: (Top & Front Covers Removed)

1. With the camera in operatable condition, unsolder the connections shown in figure 1 on page 17 and the self-timer LED unit. This frees the front tongue of the main flex.
2. Remove R7 from the rear of the flex and install a variable resistor in its place.
3. Resolder the main flex tongue and LED.
4. Close SW1 and measure VC.
5. Install a variable resistor between the CCC terminal and ground (metal part of the eyepiece shutter) The resistance should be set to $VC/150\mu A$.
6. Close SW1 and find the lighting threshold of the flash mark by adjusting the resistor.
7. Remove the resistor, measure it, and install a fixed resistor of that value.

ALTERNATE ADJUSTMENTS

Battery Case and Grip Head Removed.

- A. For power connection, see No. 6 in the Repair Guide introduction.
- B. Install a temporary SW1 as shown in figure 3.



ADJUSTMENTS

2. EV10 Amp Switching

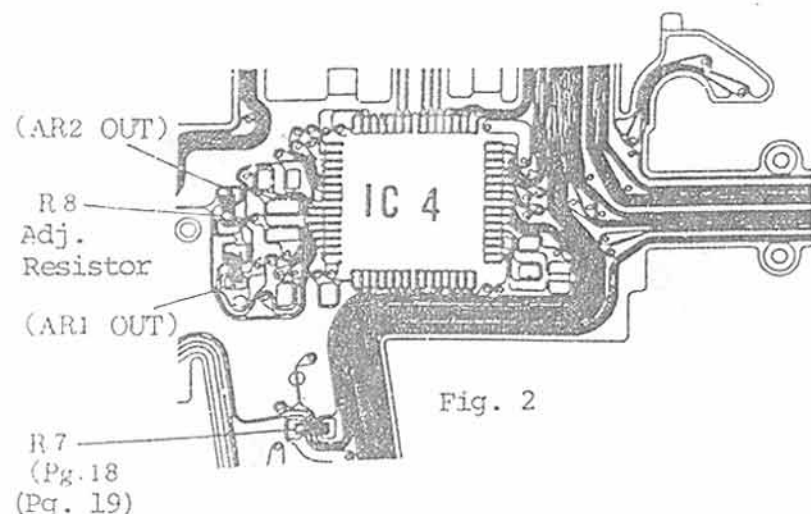
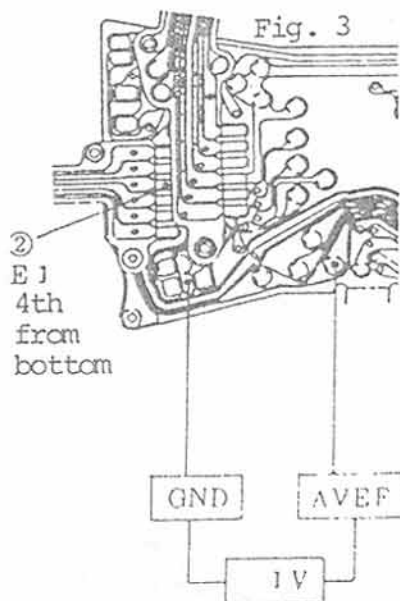
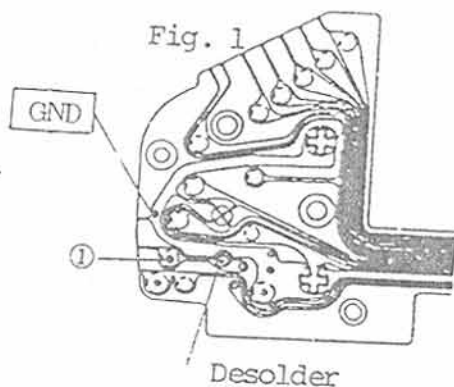
Adjust when IC4 is changed. If incorrect, improper exposure in the area of EV10 is possible even with level and gain adjusted. Perform concurrently with flash mode info. adj.

Standard: $\pm 3/16$ f Limits: (2D 2E 2F ^{Center} 30 31 32 33)
Value (Right TV digits)

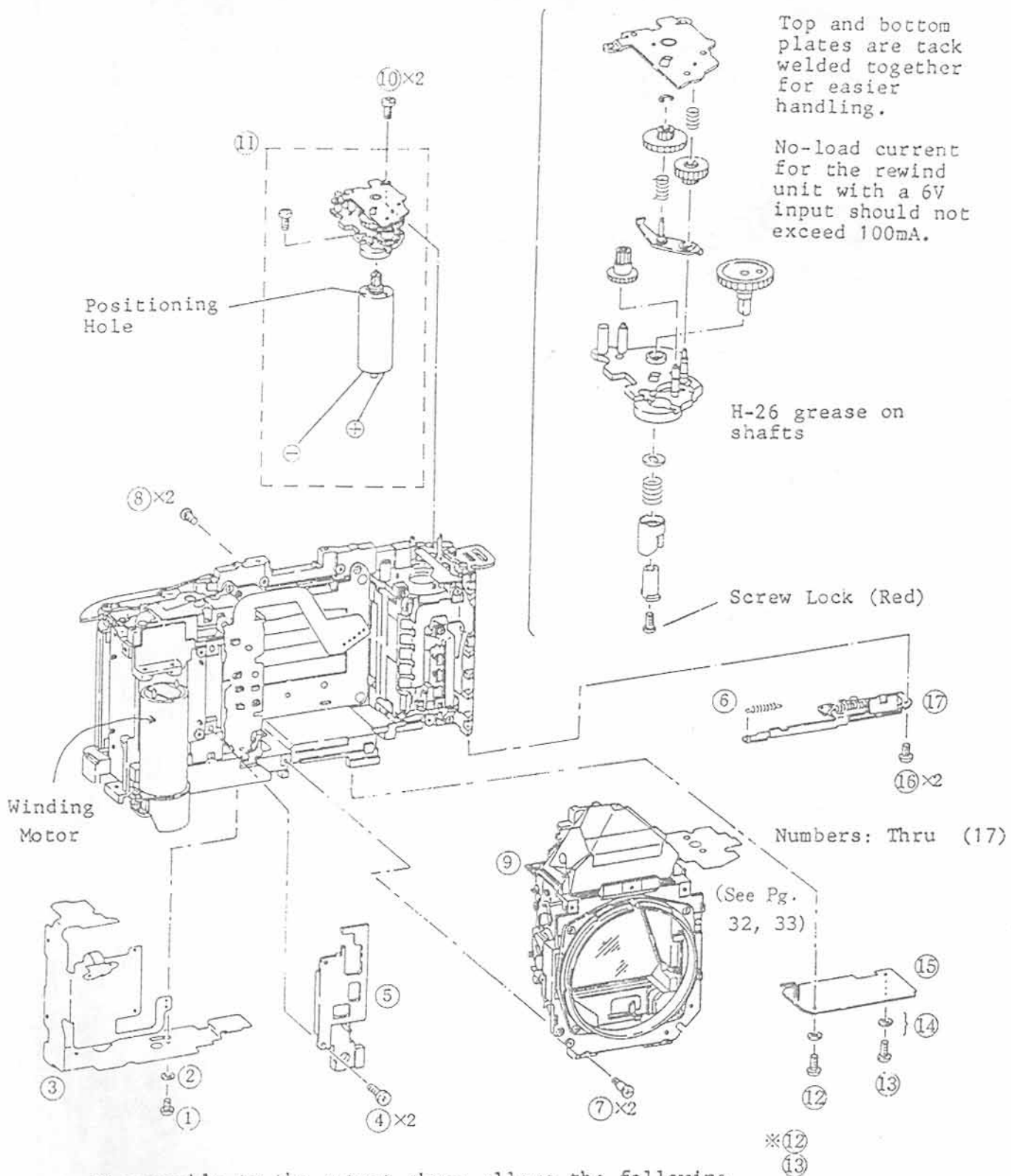
Tools: D.C. Power Supply, Voltmeter, 10K variable resistor.

Adjustment: (Top & Front Covers Removed)

1. With the camera in operatable condition, unsolder the connections shown in figure 1 on page 17 and the self-timer LED unit. This frees the front tongue of the main flex.
2. Unsolder La1 leads (pg. 18, fig. 4) from intermediate pads.
3. Remove the three screws from LCD1.
4. Unsolder the connections shown in figure 2 on page 17.
5. Remove resistor R8 (Fig. 2) and replace it with the variable resistor set to R8's resistance.
6. Resolder the connections to make camera operational.
7. Remove the solder bridge from (1) to GND in Fig. 1.
8. Connect Fig. 1 (1) and Fig. 3 (2) with a jumper.
9. Apply about one volt from the AVEF to ground pad (Fig. 3).
10. Close SW1.
11. Set the reading of the AV digits in the viewfinder to 06 by repeatedly shorting the bottom command back terminal to ground. The initial position is 03 and the shift sequence is 03-02-01-00-07-06-05-04-03 etc.
12. Adjust the D.C. power supply so the left TV digits read F8.
13. Adjust the variable resistor so the right pair of digits read 30.
14. Remove the resistor, read it, and install a fixed resistor.



IV. Motor flex, Mirror Box, & Rewind Units Removal



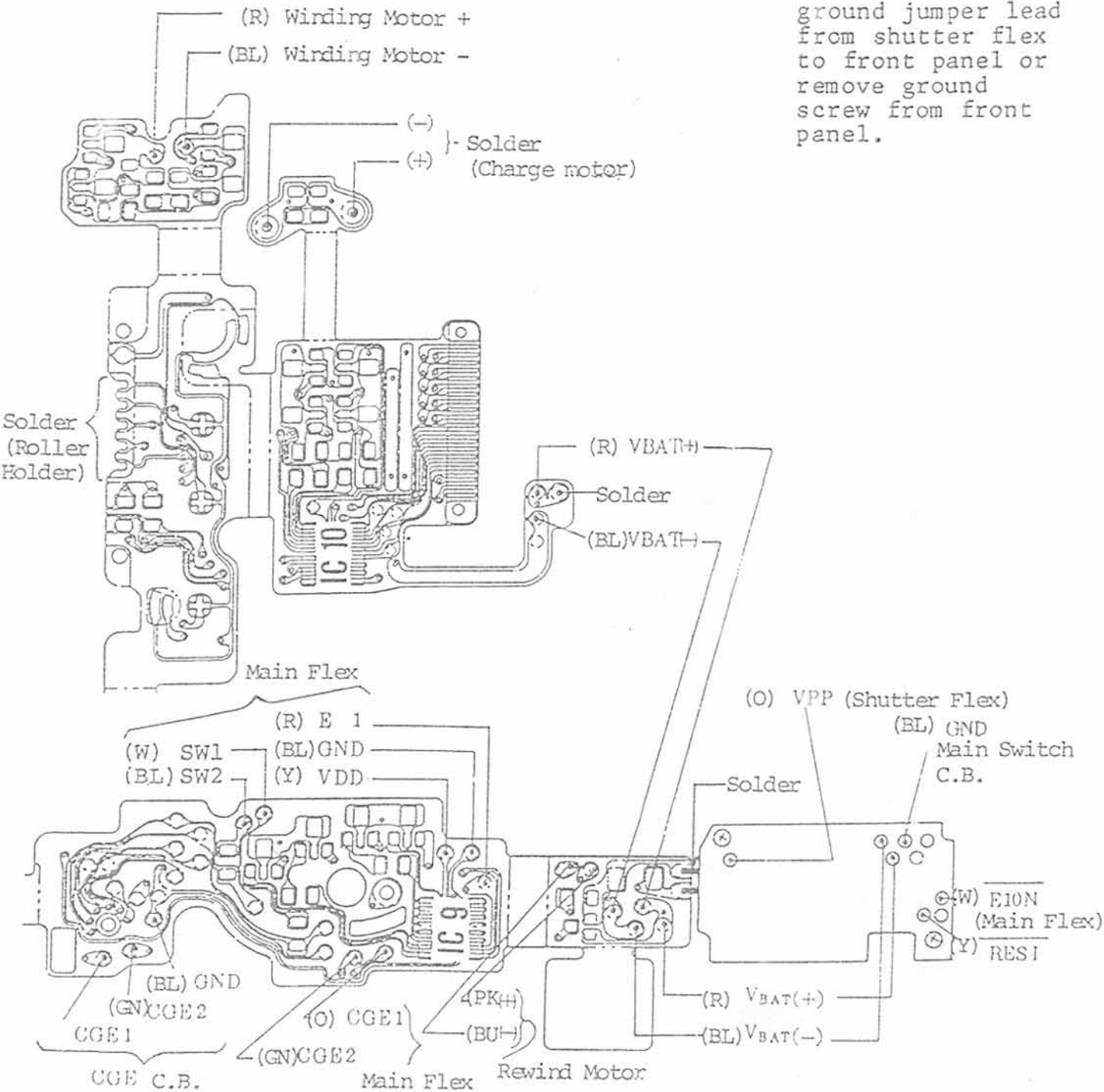
Disassembly to the extent shown allows the following adjustments to be performed.

Index No.	Adjustment (Page No.)
3	AE Overcharge (23) ; Shutter Overcharge (23)
9	AE Set Position (24) AE Set Timing (24) AE Pin Spacing (25) AE Brush Start Position (25) AVO (26)

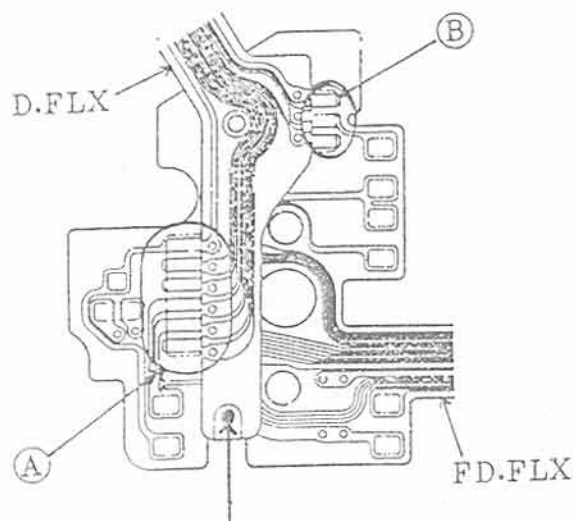
ASSEMBLY & DISASSEMBLY NOTES

1. Motor Flex (3), DC-DC convertor (15)

CAUTION: Unsolder ground jumper lead from shutter flex to front panel or remove ground screw from front panel.



2. Mirror Box (9) Removal



Back Cover SW Ground pin - Soldered to FD Flex.

Before unsoldering at (A) and (B), remove the DX Flex and unsolder the FD flex from the back cover ground switch pin. (The pin serves as a positioning pin for the DX Flex. Then unsolder (A) and (B). (If forcefully removed the pattern on the underside of the DX flex may be damaged.)

NOTES:

1. Because of the 2nd Curtain sync feature, the shutter should be charged when the mirror box is installed.
2. Post Assembly Checks
 - 1) Apply about 3 volts to the winding motor to wind the mechanism (polarity is not important).
 - 2) Apply about 3 volts to the orange (+) and black (-) leads on the right side* of the mirror box.
 - 3) Apply about 3 volts to the magnet coils to check curtain operation.
 1st Curtain: Bottom two contacts, bottom contact is -.
 2nd Curtain: Top two contacts, top is +. (Will not operate if polarity is reversed.)

*: Viewed from the front.

ADJUSTMENTS

ADJUSTMENTS POSSIBLE AFTER REMOVING MOTOR FLEX

1. AE Overcharge

Standard: 0.9 - 1.1f

Tools: AE Tool Lens , DC Power Supply

1. Install the tool lens.
2. Apply 1.5 volts to the charge motor. (Attach the minus (-) from the D.C. power supply to the motor plus (+) for low gear operation.)
3. If not within tolerances, change the adjusting collar

This adjustment assures that the AE, automatic diaphragm, and mirror mechanism have sufficient overcharge.

Collars: (A): AE Overcharge
(B): Shutter Overcharge
(C): AE Overcharge

(If (A) is used to adjust overcharge, there should be space between shutter charge lever and main charge lever when the charge cam is at its maximum. After adjustment (A) must have some possible movement in the normal direction.

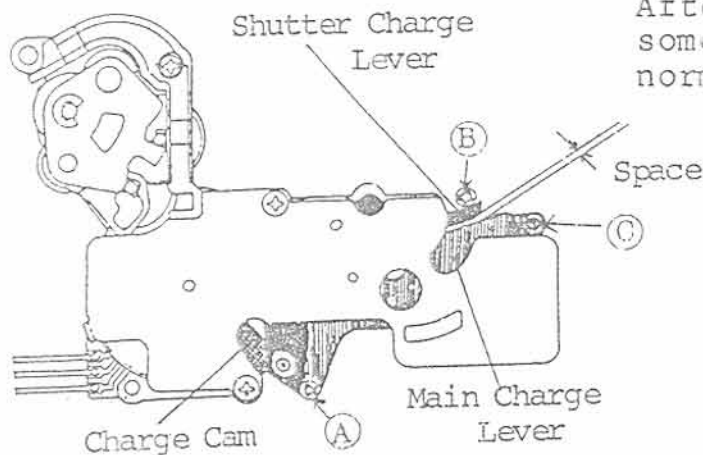


Fig. 1: Charge Complete

2. Shutter Overcharge

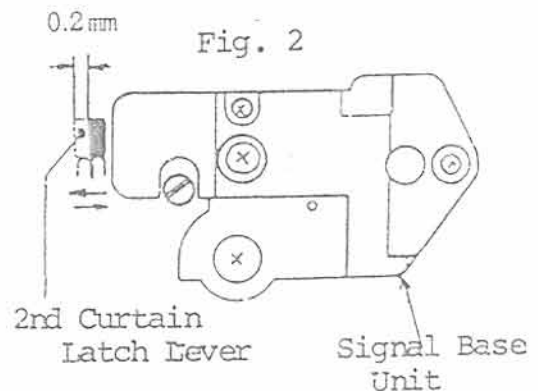
Standard: Fig. 2

Tools: DC Power Supply

Adjustment:

1. Apply 1.5 volts to the charge motor.
2. If not within tolerances, change the adjusting collar (Fig. 1).

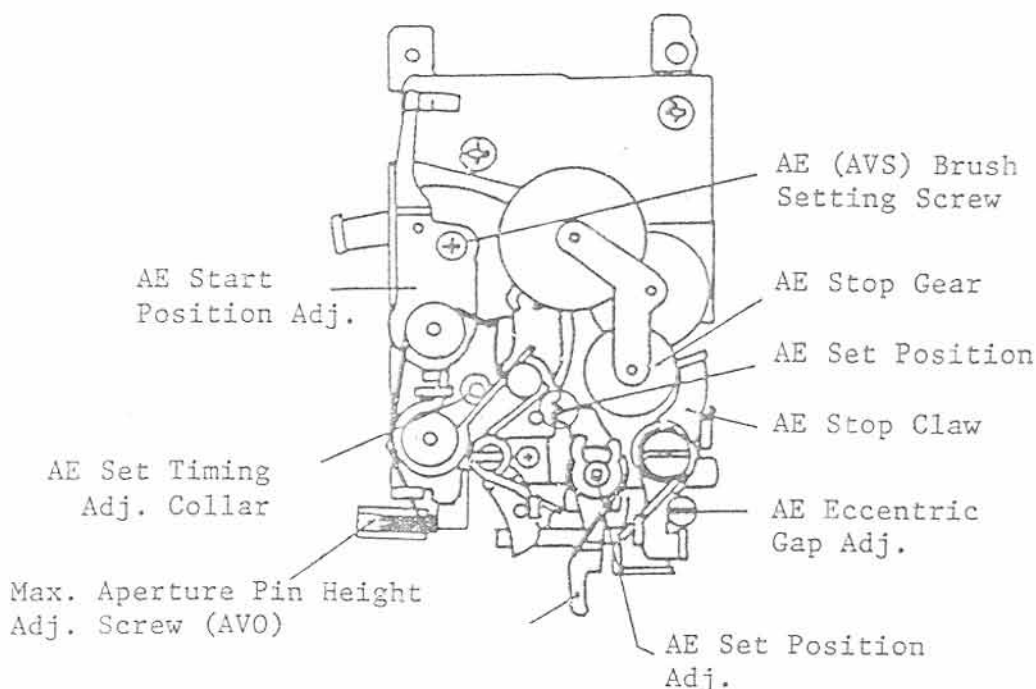
The 1st curtain sets first and then the 2nd curtain. To insure proper setting of the 2nd curtain, after adjustment (B) must have some possible movement in the normal direction (Fig. 1).



ADJUSTMENTS

ADJUSTMENTS POSSIBLE AFTER DISASSEMBLING THE FRONT PANEL UNIT

Of the front panel units the AE unit and mirror mechanism (mirror 45° angle) require adjustment. Lubricate lever friction surfaces with Lozoid #72090, but use a small enough amount to insure against splatter.



When the AE unit is replaced, check AE eccentric gap, AE overcharge, and maximum aperture pin height. The other points are guaranteed by individual parts tolerances.

1. AE Set Position Adjustment

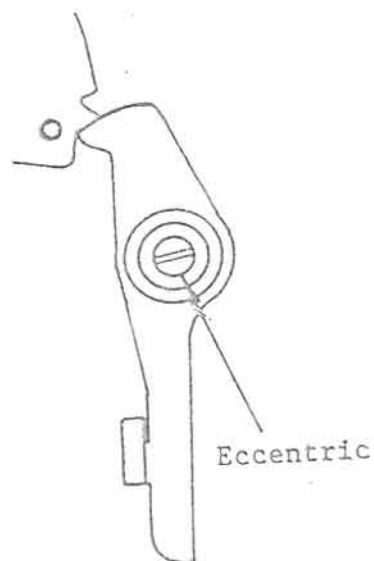
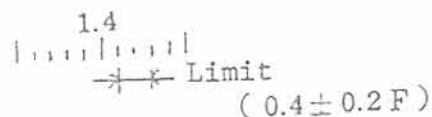
Standard: $0.4 \pm 0.2f$ (with $f/1.4$ lens)

Tools: AE Tool Standard Lens

Adjustment

- 1) Attach a tool standard lens, and charge the front panel.
- 2) If the tool lens pointer does not stop within the limits adjust the eccentric.

Notes: This adjustment is not normally necessary. Close parts tolerances insure that it is usually correct.



Notes: This adjustment also affects the other AE unit adjustments: AE set timing, AE start position, and AE overcharge.

If a tool lens is not available, install an ordinary standard lens (to place a load on the aperture signal charge lever) and adjust to obtain seven turns plus six teeth, ± 1 tooth (1 tooth=0.1f; 1 rev.=1.2f).

2. AE Set Timing

Standard: AE set position: $0.4 \pm 0.2f$
 Front Panel's various levers setting: within $0.6f$
 AE overcharge: $>1.1f$

Tools: AE Standard Tool Lens

Adjustment

- 1) AE set timing must be adjusted so that the above standard are met.
- 2) Attach a tool lens, and adjust by changing with the AE set timing collar. (Ref: T80 R.G. pg. 14)

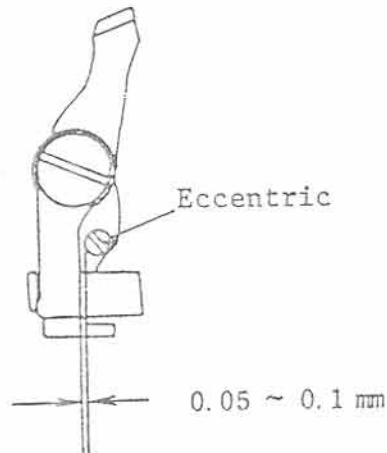
Note: This collar adjustment affects the other front panel adjustments. If the tool lens is not available, be very careful with this adjustment. Adjust by counting the stop gear teeth.

3. AE Eccentric Gap Adjustment

Standard: 0.05 - 0.1mm

Adjustment:

With the mechanism wound, adjust with the eccentric.



4. AE Start Position

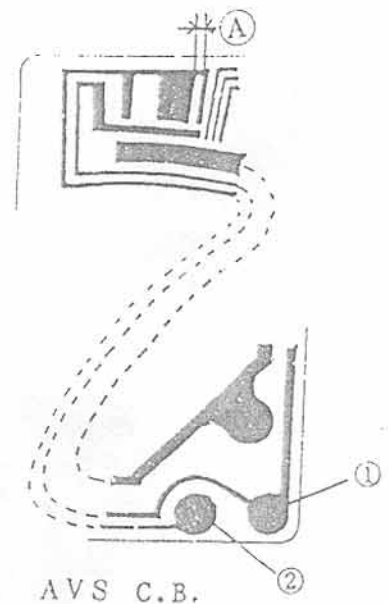
Standard: Infinity Resistance between (1) & (2).

Tool: FD standard lens

Adjustment:

Loosen AE brush screw and adjust brush position. Baising the adjustment toward the left helps prevent unnecessary error mark display.

Always check after other AE unit adjustments are made.



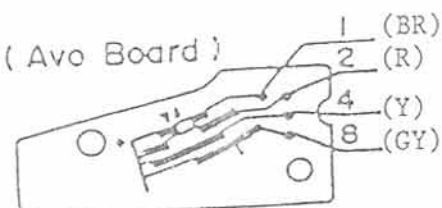
AVS C.B.

ADJUSTMENTS

5. AVO Adjustment

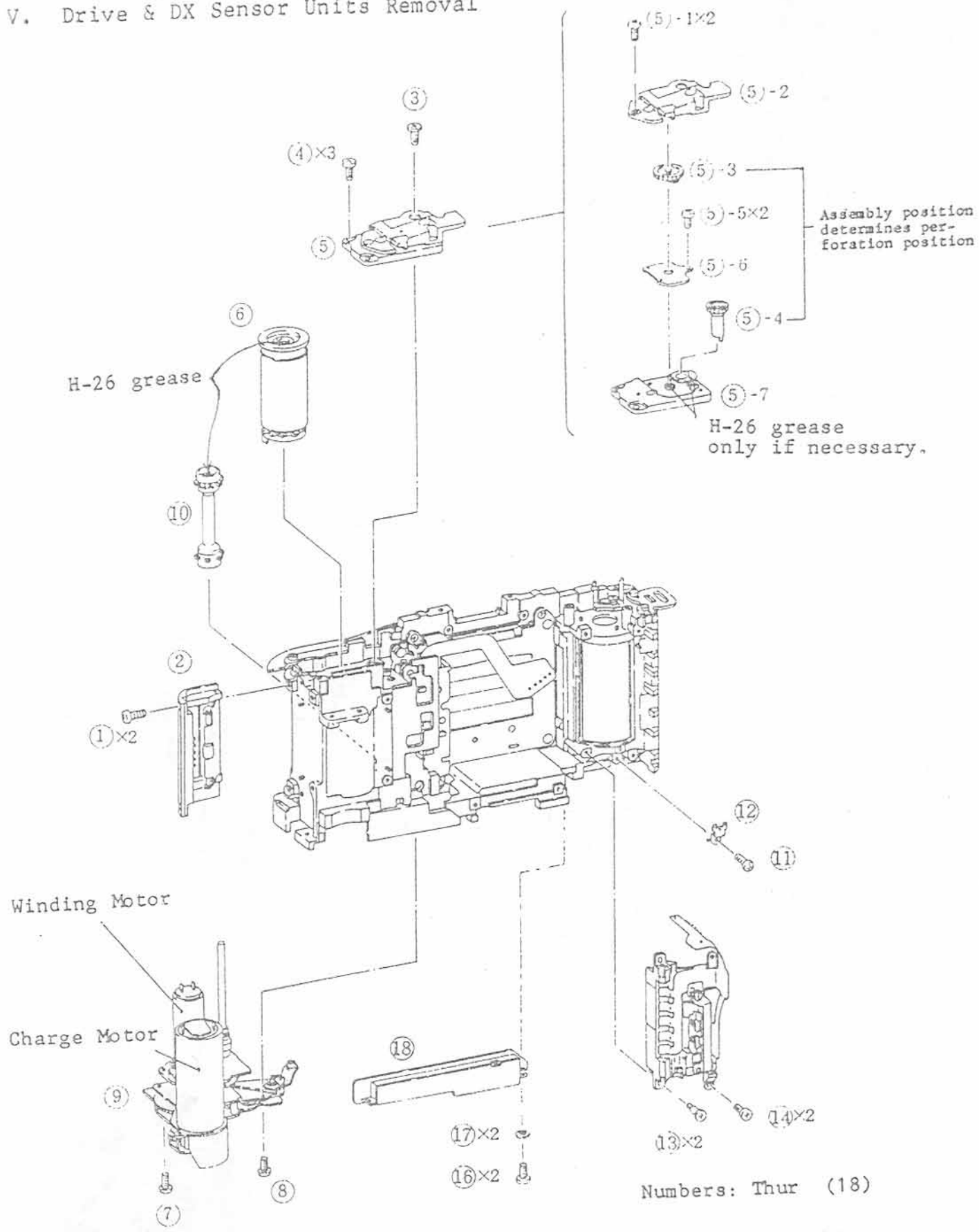
- 1) Connect the plus (+) probe of a multimeter to the gray lead (AV08) from the AE unit and ground the minus (-) probe to a metal part of the front panel.
- 2) Set a depth gauge to 7.025 mm and check whether the AVO height is correct by confirming that switching between the f/2.5 and f/2.8 levels occurs within ± 0.03 mm of this height.
- 3) AVO is adjusted by means of a screw inside the maximum aperture compensation pin. (The screw is locked with G103; dissolve it with keton.) After making the adjustment, paint the screw with G103.

Note: If a depth gage is not available use a known-good f/1.8 lens and f/2.0 lens and adjust so the correct maximum aperture is displayed on the external LCD.



		Checkpoint									
		F NO.									
		5.6	4.5	4.0	3.5	2.8	2.5	2.0	1.8	1.4	1.2
± 0.05	(mm)	5.70	6.00	6.30	6.57	6.90	7.15	7.46	7.72	8.10	8.38
Avo 8		1	1	1	1	1	0	0	0	0	0
Avo 4		0	1	1	1	1	1	1	1	1	0
Avo 2		1	1	1	0	0	0	0	1	1	1
Avo 1		0	0	1	1	0	0	1	1	0	0
Changeover Points		5.85	6.15	6.435	6.74	7.025	7.305	7.59	7.91	8.24	

V. Drive & DX Sensor Units Removal



See pg. 34, 35

When installing (7) and (8) in (9), move the AL cover out of the way.

Numbers: Thur (18)

1. Drive Unit (9)

- 1.1 Disassemble and reassemble with the shutter charged.
- 1.2 By removing sprocket screw (3) and screws (7) and (8), the unit can be removed.
- 1.3 Reassembly is facilitated if extensions are soldered to the winding motor leads before removal.
- 1.4 No-load Currents (6V Input)

Winding Motor:	High:	< 70mA (Spool turns)
	Low :	< 50mA (Spool & Sprocket turn)
Charge Motor:	High:	< 200mA
	Low :	< 180mA

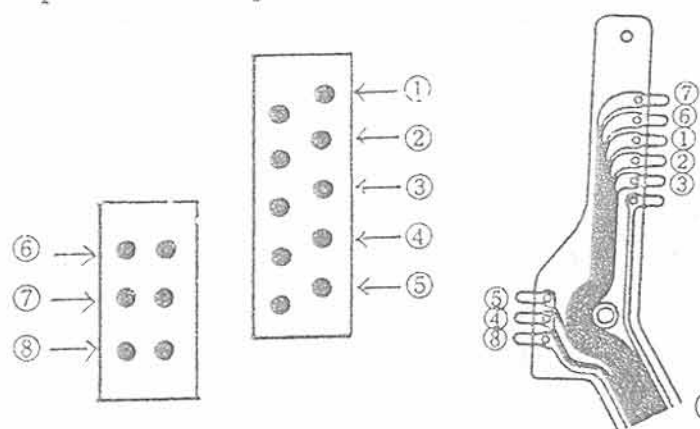
Reverse polarity for high/low switching.

1.5 Post-assembly Checks

- 1) Both sprocket and spool should have a little thrust play.
- 2) Apply 6V to both motors and check operation of the sprocket, spool, and charge mechanism.

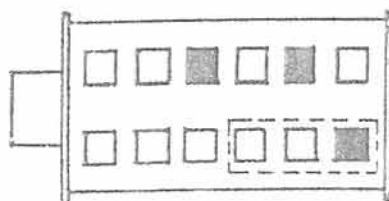
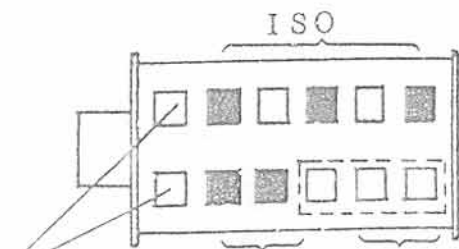
2. DX Unit (15)

- 2.1 Only the complete unit is stocked.
- 2.2 Before disassembling the camera, check the LCD display with cartridges coded for ISO 100 and 1000, 12 and 20, or 24 and 36 exposures.
- 2.3 With the uninstalled unit check continuity between the pin pairs and pin to flex connections.



Continuity between pin pairs
Continuity between like numbers of pins and DX flex connections.

Pin Assignments:
1 thru 5: ISO Film Speed
6 & 7 : Exposures
8 : Ground
Ref: (STG-022) DX System

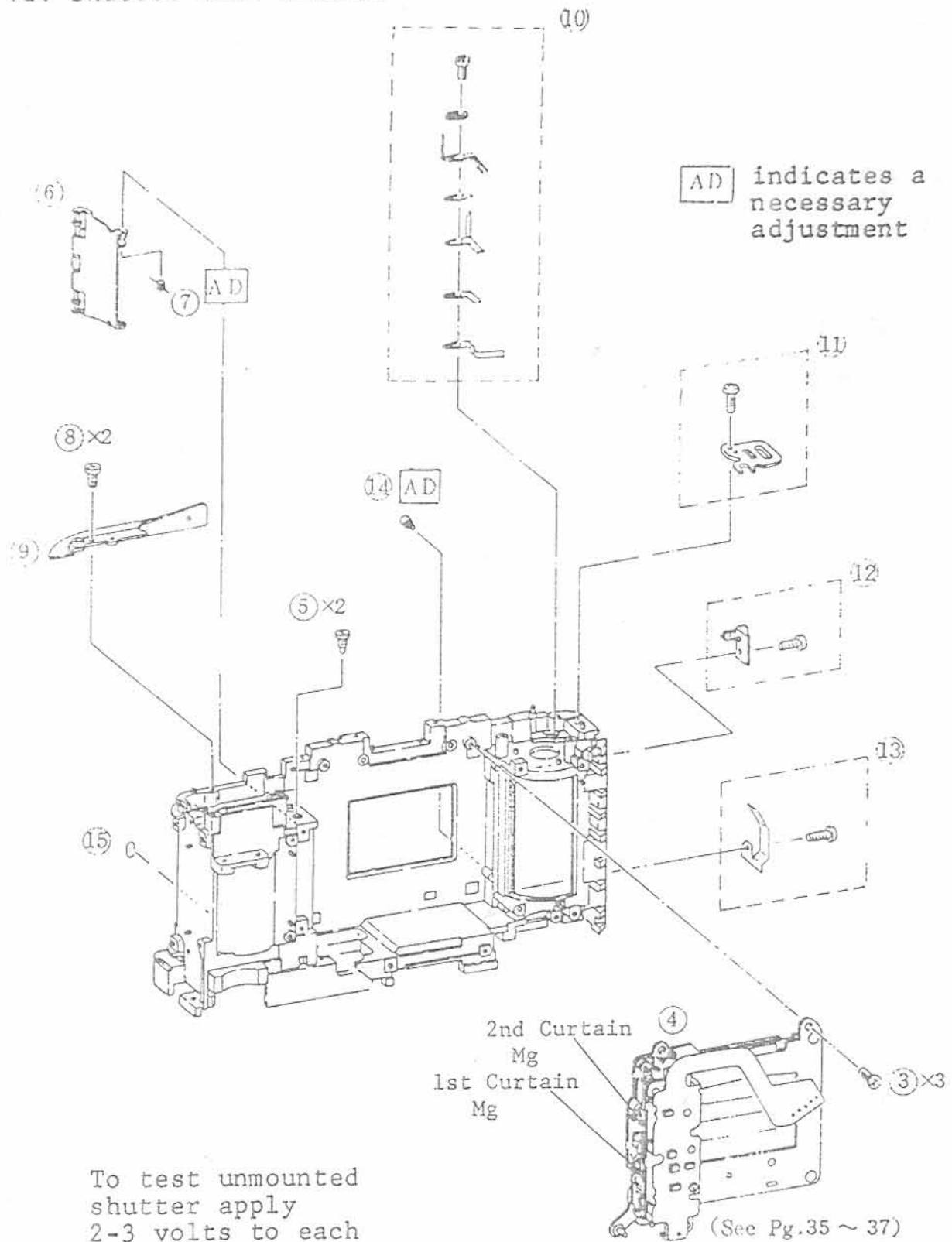


■ Non-conductive
□ Conductive
[] N/A for this camera.

ISO 100, 36 exp. +3, -1EV
Latitude

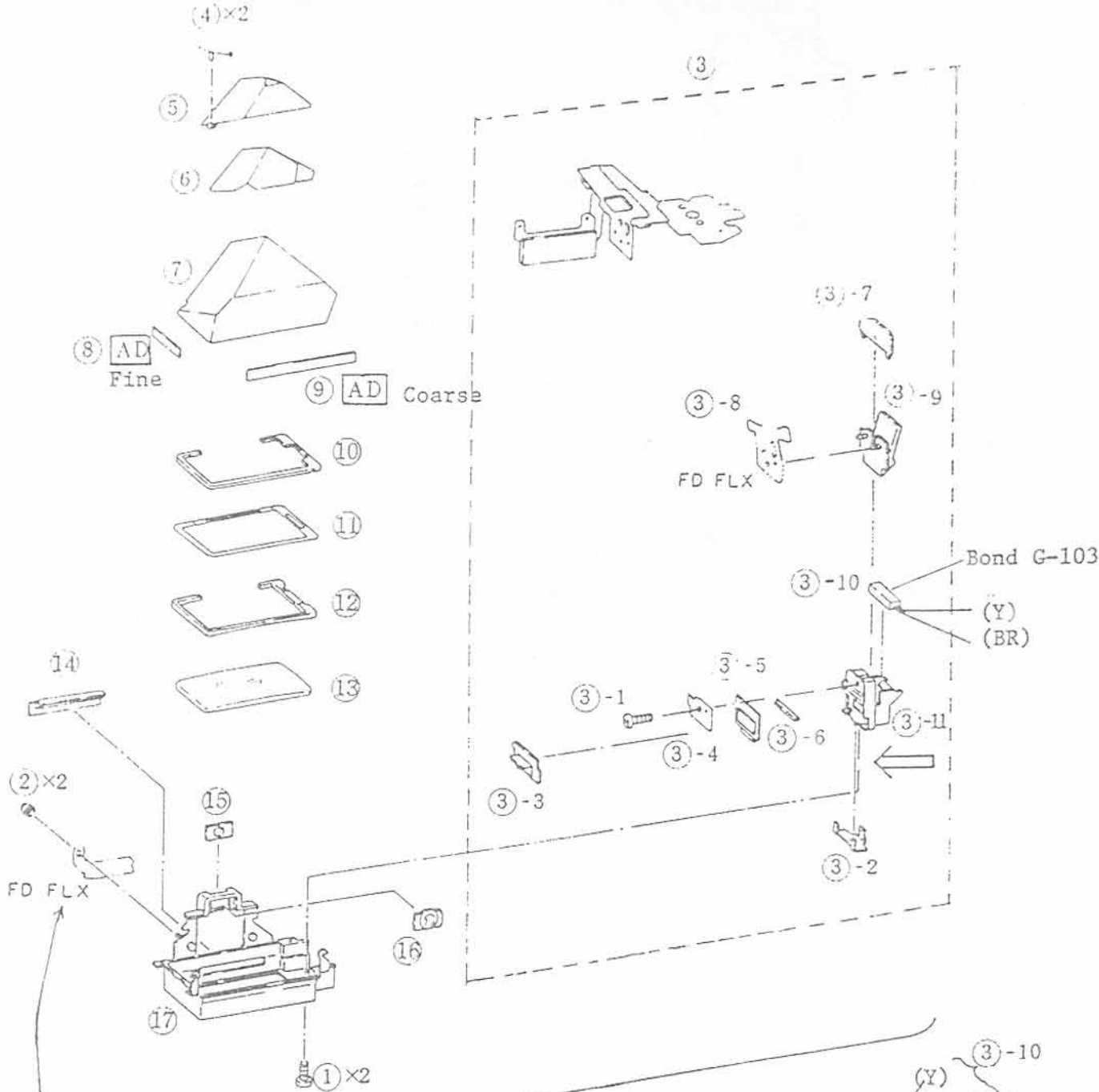
ISO1000, 24 exp. +1EV
Latitude

VI. Shutter Unit Removal



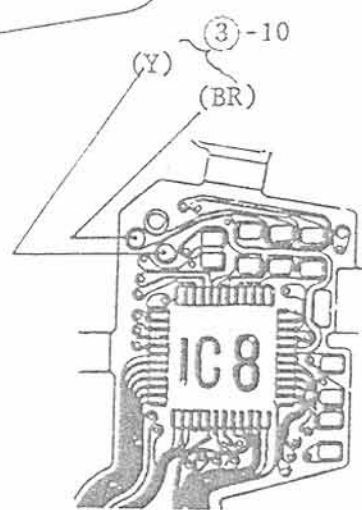
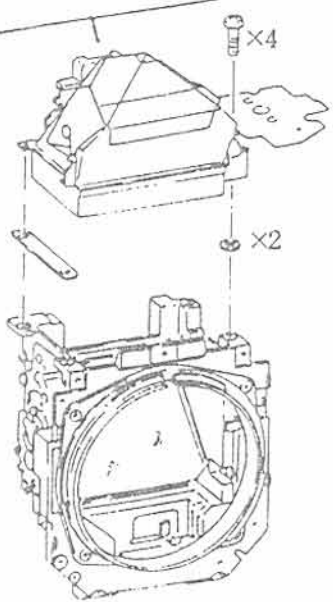
To test unmounted shutter apply 2-3 volts to each magnet coil. The upper coil connection is plus (+). Curtains should operate with as little as 2V applied.

1. AL Cover Spring Adjustment
Tension with the cover roller 2 -3mm away from the spool should be 65-80g. If too weak, film will wind too loosely at low temperatures. If too strong, film will not load with the proper initial offset. This also will result in loose winding onto the spool.
2. Film Guide Shaft (14) Adjustment
The shaft diameter should be the same as the width of the inner guide rail +0.1mm. If the shaft is replaced, use the same size. When the body is replaced, select the correct size.
3. Shutter Unit
Charge torque must be less than 1220gcm.
If the shutter is removed with the drive base attached, they should be in the charged condition.
When the shutter is replaced, attach the drive unit and check overcharge before installing the new shutter. (1st curtain sets first and then 2nd curtain. 2nd curtain should have some play.)
The shutter can be removed after the front and top covers, charge motor, and main flex are removed.



Adjust so no part of the LED is masked by the open shutter.

Apply G-103 bond to (14), (15) and (16)
 Arrows indicate the direction in which parts should be held when installed.
 [Ex: (3)-11 should be held close to pentaprism when installed.]
 Camera must be in operating condition before LEDs and LCDs can be checked.



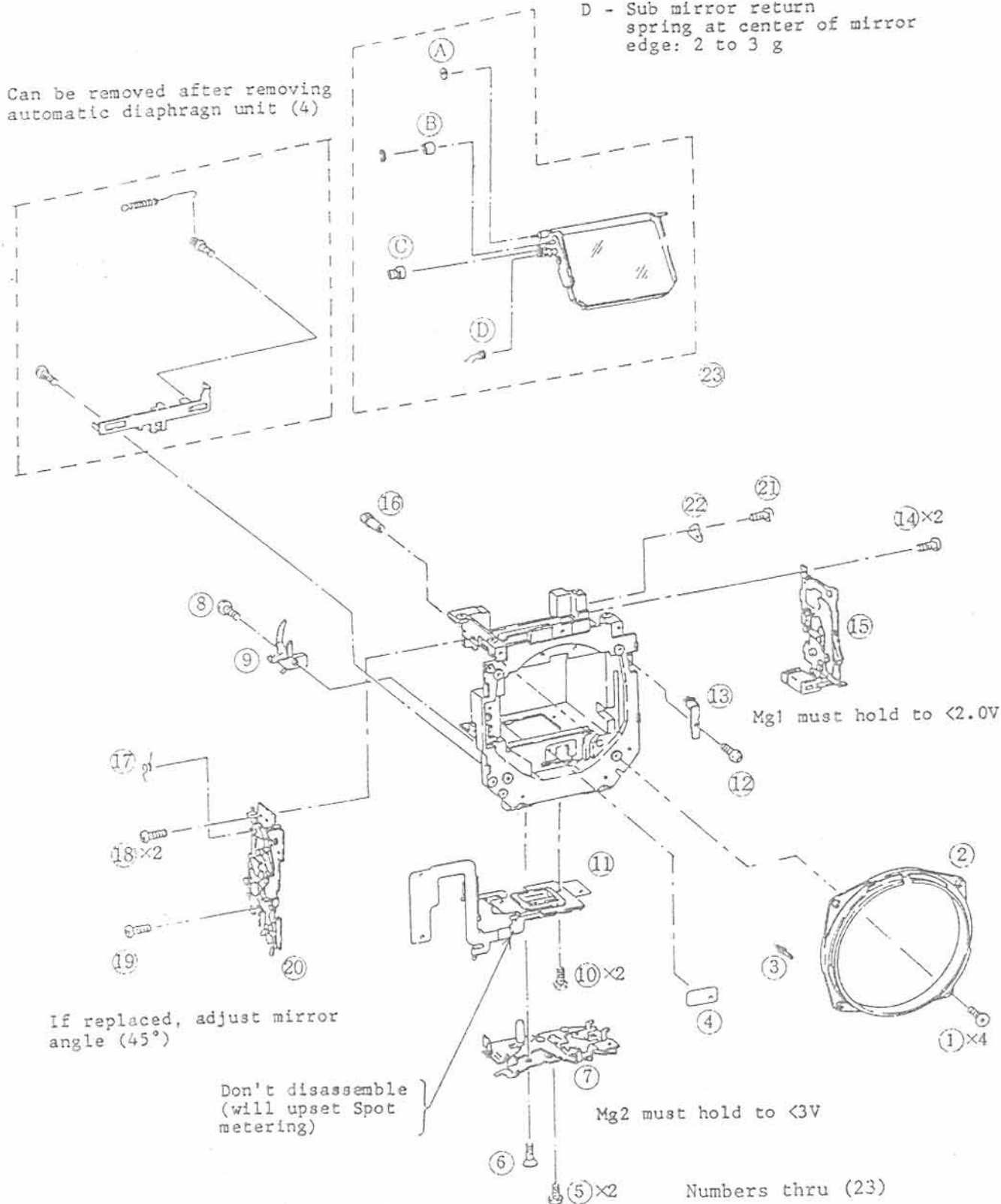
Numbers: Thru (17)

VIII. Mirror Box Disassembly

In principle, this mechanism is like the A and other T series cameras. Operate the mirror box several times to learn the lever operation before disassembling it.

- (18) - Adj. Collars (A), (B), (C), & (D)
- A - Lateral Play: 0.1mm
- B - 0.1mm space between sub and main mirror when up.
- C - Main mirror to cushion + 0.2, - 0.3mm
- D - Sub mirror return spring at center of mirror edge: 2 to 3 g

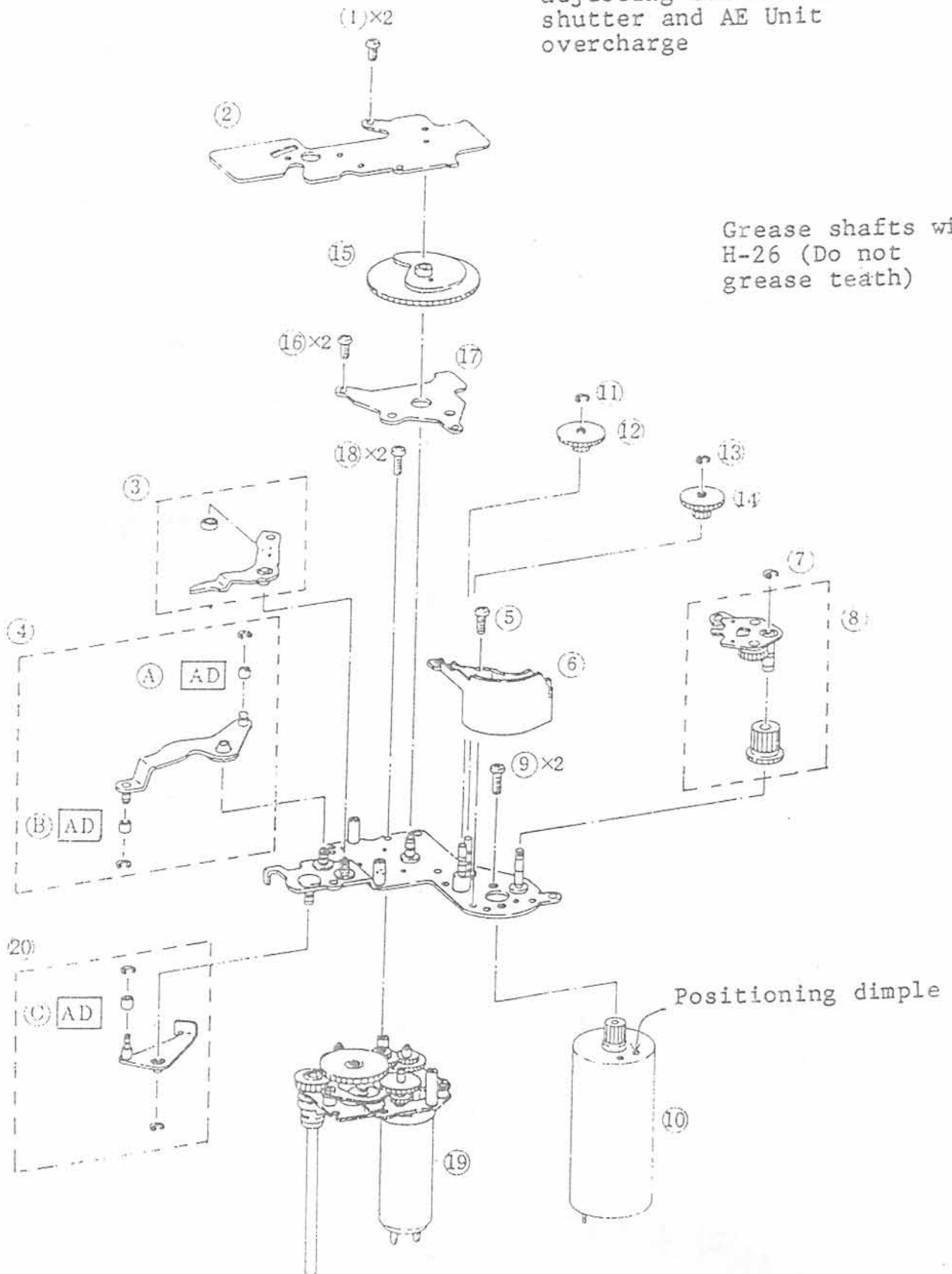
Can be removed after removing automatic diaphragm unit (4)



IX. Drive Unit Disassembly
(Mechanical Charge Geartrain)

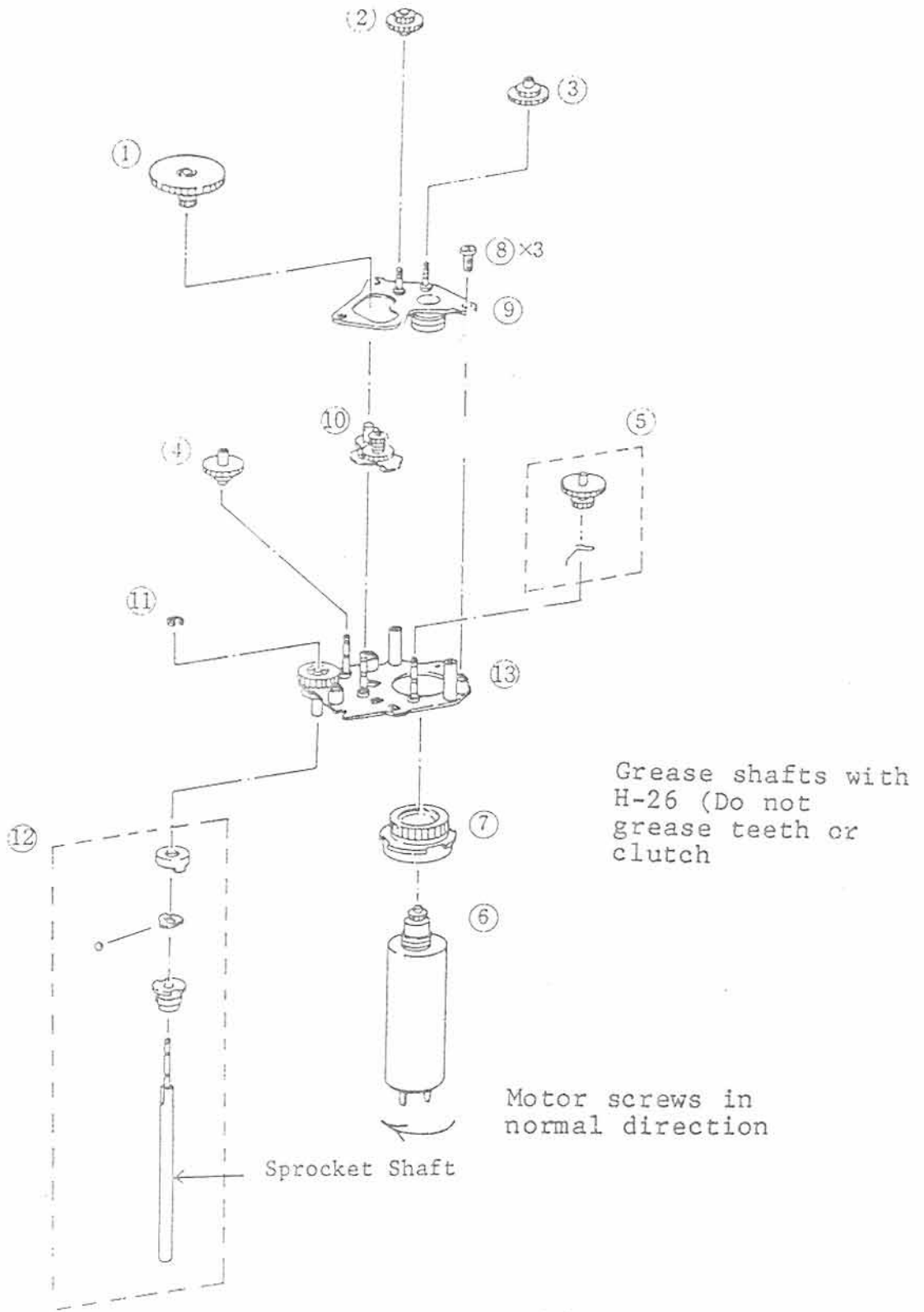
(4)-(A) & (B) and (20)-C are
adjusting collars for
shutter and AE Unit
overcharge

Grease shafts with
H-26 (Do not
grease teeth)



Numbers Thru (21)

IX. Drive Unit Disassembly
(Film Winding Geartrain)



Clutch: (With gear held turns in spill direction only)

Numbers Thru (13)

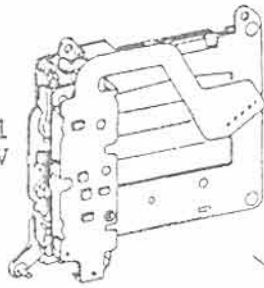
X. Shutter Unit Disassembly

Shutter should be released

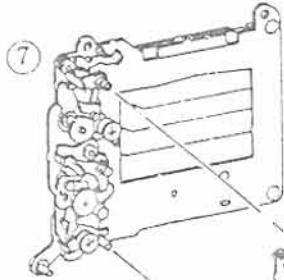
Pre-assembly Shutter Check
(Place unit in a body and connect leads)

1st Curtain TT: $2.7 \pm 0.1 \text{ms}$
 2nd Curtain TT: $< 0.03 \text{ms}$ fast
 X sync: $0.2 - 0.3 \text{ms}$
 Note: Body is used as mounting stand.

Apply 2 -3V to each coil
 MG min. hold voltage $< 2 \text{V}$

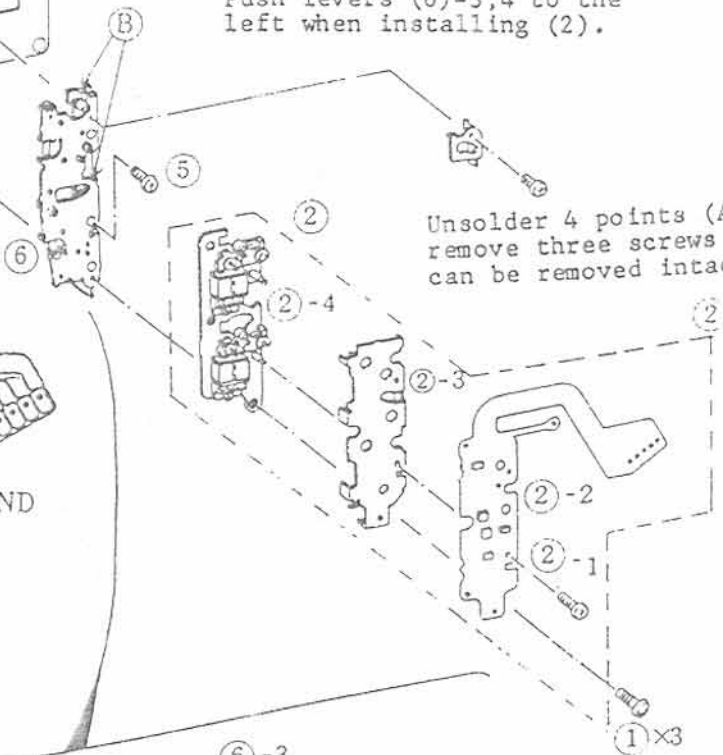
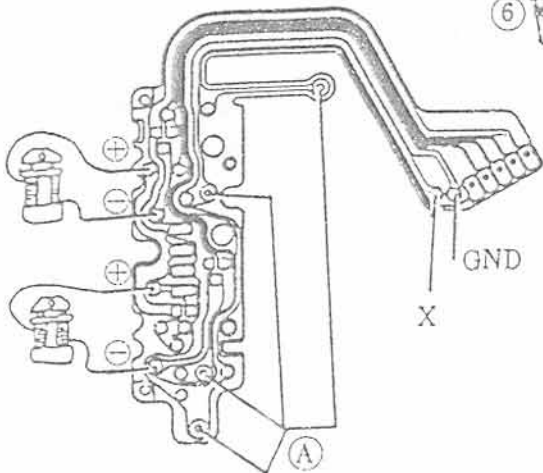


(4) Before disassembling (6) detension the blade drive springs by backing off about 12 turns on the worm gears.



Push levers (6)-3,4 to the left when installing (2).

Unsolder 4 points (A) and remove three screws (1). (2) can be removed intact.



2nd Curtain TT worm gear

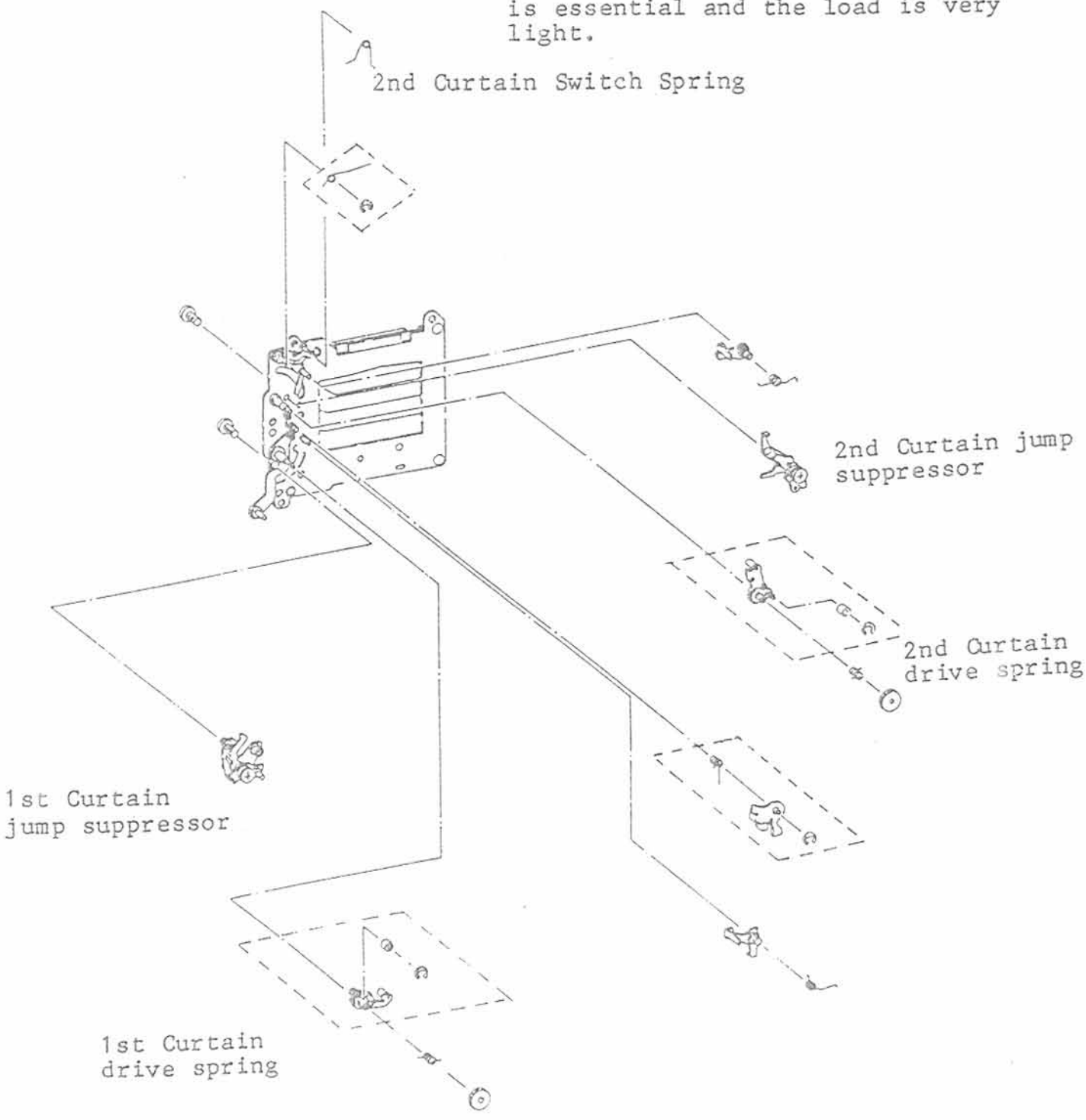
1st curtain switch spring

1st Curtain TT worm gear

X sync unit

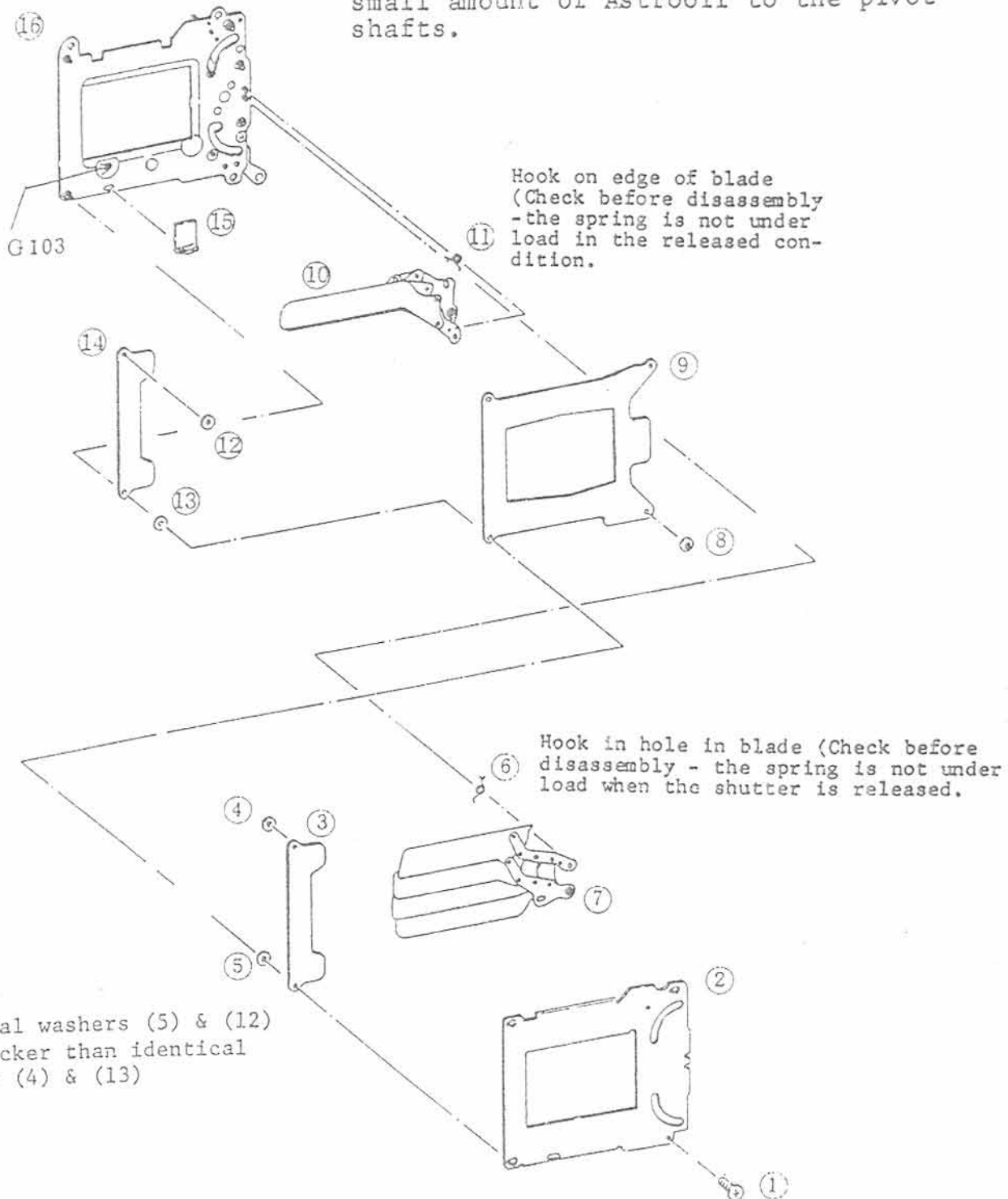
X. Shutter Unit Disassembly (Cont.)

Lube: Two lubricants are used in the shutter. H-26 is used on shafts and lever friction surfaces that are under a fairly heavy load. Astro-oil is used on shafts where smooth operation is essential and the load is very light.



X. Shutter Unit Disassembly (Cont.)

Assemble and disassemble in released condition
When changing shutter blades apply a small amount of Astroil to the pivot shafts.

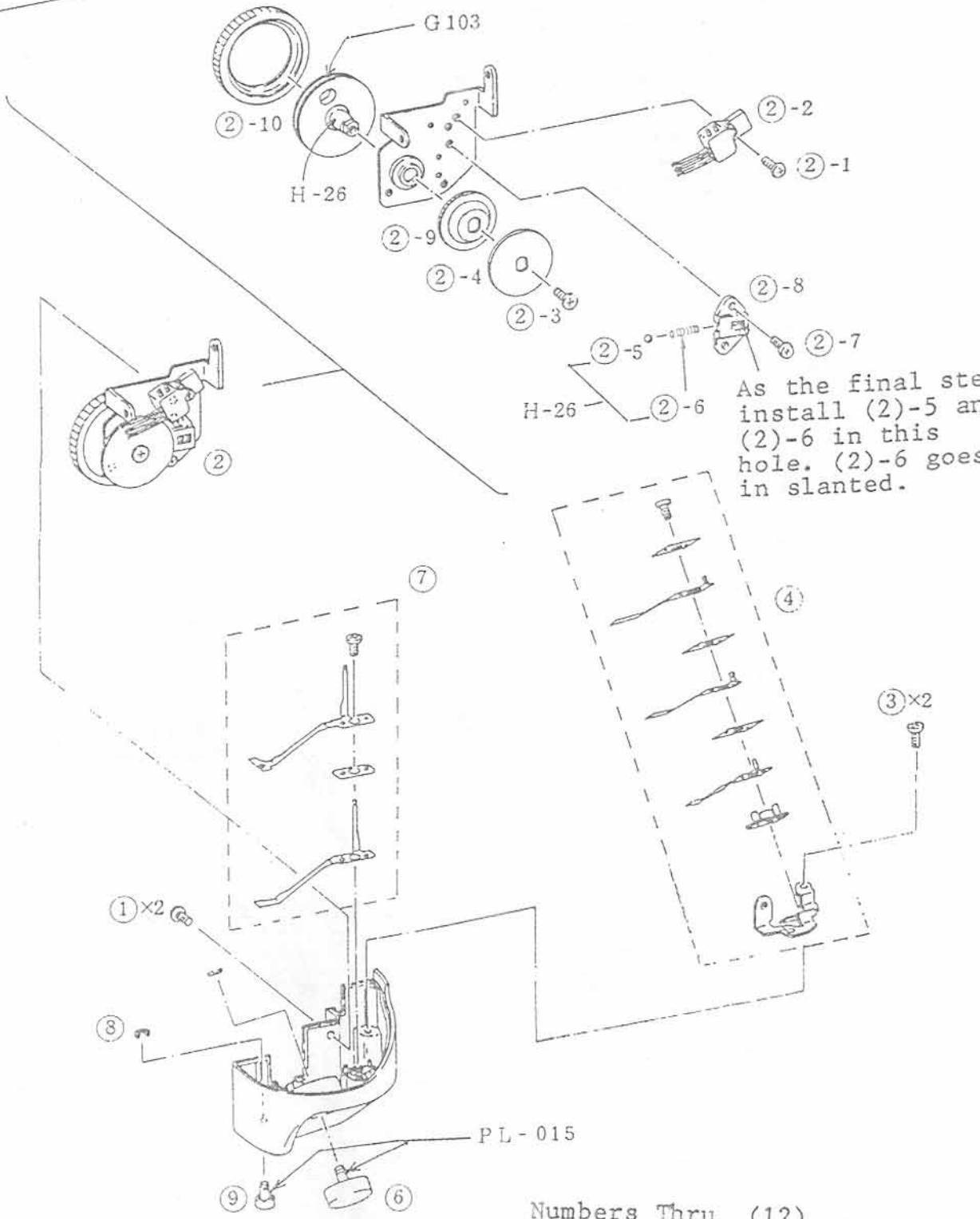


Numbers thru (16)

XI. Grip Head Unit Disassembly



Rotated 180°



Numbers Thru (12)

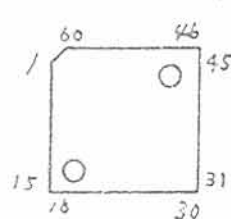
XII. Flex Units & IC Replacement Adjustments Table

Part Name	Adjustments (In order from the left)
Main Flex Unit*	VR8, VR2, VR3, VR4, VR1, VR5, VR6, VR7.
FD Flex Unit	N/A
Motor Flex Unit	N/A
DX Flex Unit	N/A (DX Sensor Unit is service part)
Spot Flex Unit	N/A
Shutter Flex Unit	N/A
DC/DC Convertor	N/A
IC-1 (Metering)	R5, VR3, VR4.
IC-2 (Metering-S)	Spot Flex Unit is pre-adjusted at factory
IC-3 (MPU)	N/A
IC-4 (I/O)	R7, R8, R13, R10 & Main Flex Adjustments
IC-5 (SPU)	N/A
IC-6 (LCD-1 Drive)	N/A (Service Part includes circuit board)
IC-7 (LCD-2 Drive)	N/A
IC-8 (LED Drive)	N/A
IC-9 (Drive)	N/A (Change IC-9 & IC-10 as pair)
IC-10 (Drive)	N/A

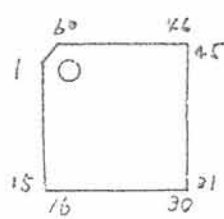
*: When Main Flex is changed, put leader protrusion and aperture accuracy pads in same condition as removed flex. Perform the partial area alignment when the main flex or IC-1 is replaced.

Adjustment	Incorrect Adj Indication	Resistance (Ohm)	Page
VR1 (Gain)	Exp. accuracy varies with brightness (tilt)	9K-13K	11,12
VR2 (Spot)	Incorrect Exp Spot(Level)	15K-30K	11,12
VR3 (Partial)	" " Part "	18K-40K	11,12
VR4 (Average)	" " Avg. "	54K-93K	11,12
VR5 (AVEF)	Incorrect flash aperture	0-10K	5
VR6 (FELK)	Incorrect FELK exposure	0-10K	6
VR7 (TTL)	Incorrect Flash TTL exp.	0-10K	6
VR8 (T)	Incorrect shutter speed	0-300K	3, 4
R5 (NULL)	Wrong exp. at <EV +2	4.3K-300K	9
R7	Flash doesn't commutate mode to camera	4.02K-7.87K	18
R8	Exp. accuracy different above and below EV10	64.9-1.3K	19
R10	Wrong oper. w/low battery	12.4K-20K	6
R13	Unnecessary segments of LCD2 visible in finder	5.62K-10K	11

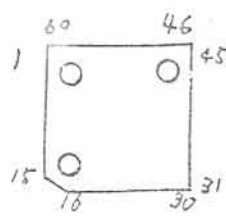
IC Pin Diagrams



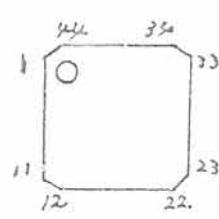
IC-3



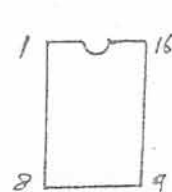
IC-4



IC-5



IC-7
IC-8



IC-9
IC-10

SHUTTER SPEED VARIATION
(BASED ON ±EV)

	4000	2000	1000	500	250	125	80	30	15	8	4	2	1"	2"	4"	8"	16"	32"
+ 0 . 5 0 0	0.346	0.691	1.381	2.762	5.524	11.05	22.10	44.19	88.39	176.8	353.6	707.1	1414.2	2828	5657	11314	22627	45255
+ 0 . 4 5 0	0.333	0.667	1.334	2.668	5.336	10.67	21.34	42.69	85.38	170.8	341.5	683.0	1366.0	2732	5464	10928	21857	43713
+ 0 . 4 0 0	0.322	0.644	1.289	2.577	5.154	10.31	20.62	41.23	82.47	164.9	329.9	659.8	1319.0	2639	5278	10556	21112	42224
+ 0 . 3 5 0	0.311	0.622	1.245	2.489	4.979	9.957	19.92	39.83	79.66	159.3	318.6	637.3	1274.6	2549	5098	10197	20393	40786
+ 0 . 3 0 0	0.300	0.601	1.202	2.405	4.809	9.618	19.24	38.47	76.95	153.9	307.8	615.6	1231.1	2462	4925	9849	19698	39397
+ 0 . 2 5 0	0.290	0.581	1.161	2.323	4.645	9.291	18.58	37.16	74.33	148.7	297.3	594.6	1189.2	2378	4757	9514	19027	38055
+ 0 . 2 0 0	0.280	0.561	1.122	2.244	4.487	8.974	17.95	35.90	71.79	143.6	287.2	574.3	1148.7	2297	4595	9190	18379	36758
+ 0 . 1 5 0	0.271	0.542	1.084	2.167	4.334	8.669	17.34	34.67	69.35	138.7	277.4	554.8	1109.6	2219	4438	8877	17753	35506
+ 0 . 1 0 0	0.262	0.523	1.047	2.093	4.187	8.373	16.75	33.49	66.99	134.0	267.9	535.9	1071.8	2144	4287	8574	17148	34297
+ 0 . 0 5 0	0.253	0.505	1.011	2.022	4.044	8.088	16.18	32.35	64.70	129.4	258.8	517.6	1035.3	2071	4141	8282	16564	33129
0	0.244	0.488	0.977	1.953	3.906	7.813	15.62	31.25	62.50	125	250	500	1000	2000	4000	8000	16000	32000
- 0 . 0 5 0	0.236	0.472	0.943	1.887	3.773	7.546	15.09	30.19	60.37	120.7	241.5	483.0	965.9	1931.9	3864	7727	15455	30910
- 0 . 1 0 0	0.228	0.456	0.911	1.822	3.654	7.289	14.58	29.16	58.31	116.6	233.3	466.5	933.0	1866.1	3732	7464	14929	29857
- 0 . 1 5 0	0.220	0.440	0.880	1.760	3.521	7.041	14.08	28.16	56.33	112.7	225.3	450.6	901.3	1802.5	3605	7210	14420	28840
- 0 . 2 0 0	0.212	0.425	0.850	1.700	3.401	6.801	13.60	27.20	54.41	108.8	217.6	435.3	870.5	1741.1	3482	6964	13929	27858
- 0 . 2 5 0	0.205	0.411	0.821	1.642	3.285	6.569	13.14	26.28	52.56	105.1	210.2	420.4	840.9	1681.8	3364	6727	13454	26909
- 0 . 3 0 0	0.198	0.397	0.793	1.586	3.173	6.346	12.69	25.38	50.77	101.5	203.1	406.1	812.3	1624.5	3249	6498	12996	25992
- 0 . 3 5 0	0.192	0.383	0.766	1.532	3.065	6.130	12.26	24.52	49.04	98.07	196.1	392.3	784.6	1569.2	3138	6277	12553	25107
- 0 . 4 0 0	0.185	0.370	0.740	1.480	2.960	5.920	11.84	23.68	47.37	94.73	189.5	378.9	757.9	1515.7	3031	6063	12126	24252
- 0 . 4 5 0	0.179	0.357	0.715	1.430	2.860	5.719	11.44	22.88	45.75	91.51	183.0	366.0	732.0	1464.1	2928	5856	11713	23425
- 0 . 5 0 0	0.173	0.345	0.691	1.381	2.762	5.524	11.05	22.10	44.19	88.39	176.8	353.6	707.1	1414.2	2828	5657	11314	22627

XIII. OPERATING CURRENTS, etc.

3. Test Equipment

1. Regulated D.C. Power Supply
(Set to 6 volts, with 0.4 Ohm resistor in series to simulate battery internal resistance)
2. New FD50mm f/1.4
3. Ammeter
4. 36 exp. TRI-X film

Condition	Under
1. With main switch at Lock (L),	100uA
2. With main switch at A	100uA
3. Exposure Metering (SW1 on)	150mA
4. Winding (High mode, 20th frame, f/5.6)	1450mA
4. Rewinding (with film)	450mA

Rewinding time	12 seconds

S E R V I C E T O O L S L I S T

C A N O N T 9 0

TEST EQUIPMENT

Part No.
(New tools only)

Extended Range Shutter Tester FS-5300

CY9-7066-000 XXX

TTL-OTF Photoreceptor DIR-201
(used with modified EF 500)

CY9-7076-000

Multi-camera Tester EF 500AC
(Modified for DIR-201)

Digital Multimeter (DMM) (1mV, 1uA specs.)

Universal 600mm Range-viewfinder Collimator
or equivalent.

Oscilloscope

Regulated Voltage Power Supply (LVPS)

AE Standard Tool Lens

Universal Type 90° Collimator or
Simplified 90° Collimator

42.14mm Dial Gauge Set

Dial Tension Gauge- 100g

2.5mm Hex Key (Mirror Angle)

Sub-mirror Spanner (New F-1 shutter spanner)

T90 SERVICE PARTS POLICY

THE POLICY OF CAMERA SERVICE, TOKYO, IS TO STOCK ALL PARTS NECESSARY TO EFFECT EFFICIENT ECONOMICAL SERVICE. IT IS NEITHER NECESSARY NOR TECHNICALLY FEASIBLE TO STOCK SEPARATELY EVERY PART THAT GOES INTO EACH PRODUCT.

IN ESTABLISHING THE SPARE PARTS LIST, WE CONSIDER REPAIR DIFFICULTY, LABOR COST, SPECIAL TOOL REQUIREMENTS AND INDIVIDUAL PARTS Vs. ASSEMBLED UNIT COST TO DETERMINE IN WHICH FORM PARTS WILL BE STOCKED.

PARTS LINE ITEMS: Approx. 500 (INCLUDING 380 NEW PARTS)

1. THE UNITS LISTED BELOW ARE STOCKED AS UNITS BECAUSE THEY REQUIRE TOOLS OR TECHNICS NOT NORMALLY AVAILABLE AT FIELD SERVICE LEVEL.

CG1-0860-000	FOCUSING SCREEN E	CG9-2684-000	FRONT COVER ASSY
CG1-0868-000	AUTO DIAPHRAGM UNIT	CG9-2685-000	SELF TIMER LED ASSY
CG1-0869-000	AE UNIT	CG9-2686-000	SPOOL ASSY
CG9-2670-000	AL COVER ASSY		
CG9-2673-000	DX SENSOR ASSY	CY1-1234-000	DTTL/SPOT FLEX ASSY
CG9-2675-000	ROLLER HOLDER ASSY	CY1-1248-000	1ST CURTAIN BRAKE ASSY
CG9-2679-000	STOP-DOWN MECH. ASSY	CY1-1249-000	2ND CURTAIN BRAKE ASSY
CG9-2680-000	EYEPIECE	CY1-1250-000	SHUTTER FLEX ASSY
CG9-2681-000	EYEPIECE SHUTTER ASSY	CY1-1251-000	SHUTTER MAGNET ASSY

2. IN ADDITION TO THE ABOVE, WHICH ARE STOCKED ONLY AS UNITS, SOME INDIVIDUAL PARTS ARE STOCKED FOR THE FOLLOWING UNITS IN ADDITION TO THE UNIT.

CG1-0851-000	TOP COVER UNIT	CG9-2677-000	RELEASE BUT./DIAL ASSY
CG1-0852-000	BACK COVER UNIT	CG9-2683-000	BATTERY PACK UNIT
CG1-0857-000	MOTOR FLEX UNIT	CG9-2689-000	MIRROR ASSY
CG1-0867-000	MIRROR MECHANISM	CY1-1232-000	REWIND MECH. ASSY
CG1-0871-000	SHUTTER UNIT	CY1-1252-000	MAIN FLEX ASSY
CG9-2672-000	MOTOR SIG. BASE ASSY	CY1-1253-000	FINDER FLEX ASSY

3. INDIVIDUAL ELECTRICAL COMPONENTS WHICH MAY REQUIRE REPLACEMENT ARE STOCKED. OTHERS ARE LISTED ON THE SCHEMATIC WITH THEIR SPECIFICATIONS.

4. THE SPARE PARTS LIST IS ADJUSTED PERIODICALLY TO INSURE THE NECESSARY PARTS ARE ALWAYS AVAILABLE, AND UNNECESSARY PARTS ARE REMOVED FROM THE STOCK LIST. A COMPLETE REVIEW WILL BE CONDUCTED ONE YEAR AFTER MARKETING.

5. ASSEMBLIES SHOWN WITH THE N.S. MARK ARE SHOWN FOR CLARITY ONLY. THEY ARE NOT STOCKED IN THE FORM SHOWN.

キヤノンT90サービス部品設定について

サービス部品は修理上の精度、工数、コスト、部品の使用頻度等、諸々の事由を勘案し設定している。

特にユニット部品の構成部品中で、使用頻度の少ないものはサービス部品とはしない。

キヤノンT90においては次のような設定部品とする。

部品設定点数 約500点 (新規部品 約380点 流用部品 約120点)

1. 下記部品はユニットのみをサービス部品とする。

CG9-0860-000	フォーカシングユニット(E Type)	CG9-2684-000	前カバーユニット
CG9-0868-000	自動絞りユニット	CG9-2685-000	S-LEDユニット
CG9-0869-000	A Eユニット	CG9-2686-000	スプールユニット
CG9-2670-000	A Lカバーユニット		
CG9-2673-000	Dセンサーユニット	CY1-1234-000	調光フレキユニット
CG9-2675-000	ローラーホルダーユニット	CY1-1248-000	先幕ブレーキユニット
CG9-2679-000	絞り込みユニット	CY1-1249-000	後幕ブレーキユニット
CG9-2680-000	アイピースユニット	CY1-1250-000	シャッターフレキユニット
CG9-2681-000	アイピースシャッターユニット	CY1-1251-000	シャッターMGユニット

2. 下記部品はユニット及び使用頻度の高いと考えられる部品をサービス部品とする。

CG1-0851-000	上蓋ユニット	CG9-2677-000	キャップユニット
CG1-0852-000	背蓋ユニット	CG9-2683-000	電池蓋ユニット
CG1-0857-000	モーターフレキユニット	CG9-2689-000	ミラーユニット
CG1-0867-000	ミラーQRユニット	CY1-1232-000	巻戻しユニット
CG1-0871-000	シャッターユニット	CY1-1252-000	メインフレキユニット
CG9-2672-000	信号地板ユニット	CY1-1253-000	FDフレキユニット

3. 電気素子の一部のもの以外は、サービス部品としないが修理時のチェックが出来るよう定格を明示している。(ELECTRIC PARTS & LEADSのPARTS LISTを参照)

4. 当初、サービス部品設定されていない部品でも状況に応じ、サービス部品として追加することもある。尚、今回は特にユニット部品のみを多く設定してあるので発売1年後に部品設定の見直しを行う。

5. ユニットの一部分で、サービス部品としないものは N.S マークをつけてある。

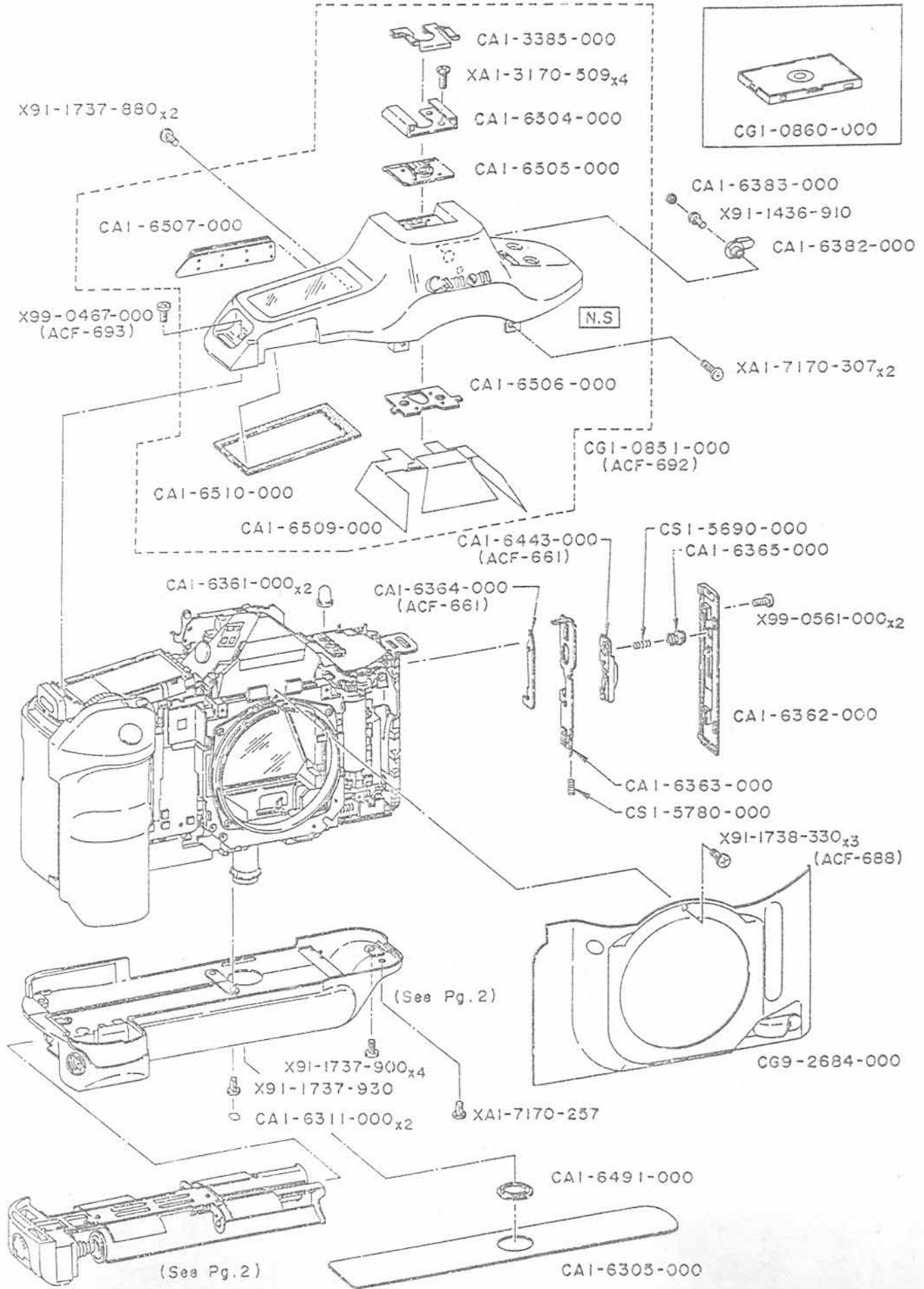
CANON T-90

REF.NO.C12-1902

CONTENTS

	PAGE
EXTERNAL PARTS	1
BATTERY CASE	2
GRIP	3
BACK COVER	4
ELECTRONIC INPUT DIAL	5
MAIN FLEX, LCD	6
REWIND PARTS	7
PENTAPRISM UNIT	8
MIRROR BOX I	9
MIRROR BOX II	10
SPOOL, SPROCKET	11
DRIVE UNIT I	12
DRIVE UNIT II	13
BODY PARTS, MINOR	14
SHUTTER UNIT I	15
SHUTTER UNIT II	16
SHUTTER UNIT III	17
PCB DIAGRAM - 1	18
PCB DIAGRAM - 2	19
PCB DIAGRAM - 3	20
WIRING DIAGRAM	21
ELECTRIC PARTS LIST	22-24
INDEX OF PARTS LIST	25-28

CANON T90



47

P A R T S L I S T

Pg 1

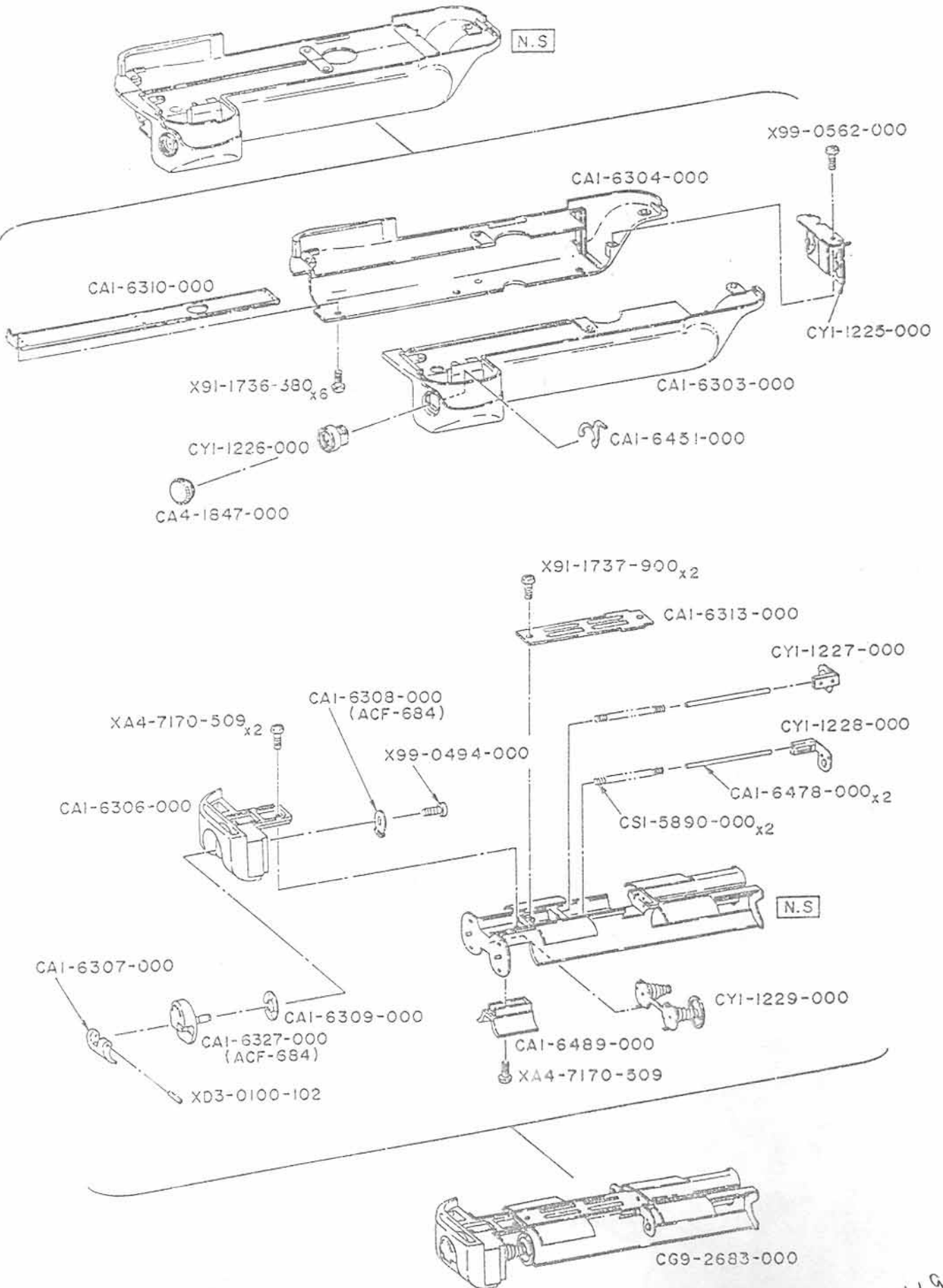
REF. NO. C12-1902

EXTERNAL PARTS

NEW	PARTS NO.	CLASS	QTY	DESCRIPTION
	CA1-3385-000	C	1	SPRING, PLATE (BL)
	CA1-6305-000	C	1	SHEET, RUBBER
	CA1-6311-000	A	2	CAP
	CA1-6361-000	D	2	BUTTON, MODE
	CA1-6362-000	D	1	COVER, HOOK
	CA1-6363-000	E	1	HOOK
	CA1-6364-000	E	1	LEVER, LOCK
	CA1-6365-000	E	1	BUTTON, UNLOCK
	CA1-6382-000	D	1	LEVER, EYEPIECE
	CA1-6383-000	D	1	CAP, EYEPIECE LEVER
	CA1-6443-000	D	1	KNOB, BACK COVER
	CA1-6491-000	C	1	NUT
	CA1-6504-000	D	1	SHOE, ACCESSORY
	CA1-6505-000	E	1	BASE, ACC. SHOE
	CA1-6506-000	E	1	PLATE, SHOE MOUNTING
	CA1-6507-000	D	1	SWITCH, H.S. CONTROL
	CA1-6509-000	E	1	INSULATOR
	CA1-6510-000	E	1	SHIELD, LIGHT
	CG1-0851-000	D	1	TOP COVER UNIT
	CG1-0860-000	D	1	SCREEN E, FOCUSING
	CG9-2684-000	C	1	FRONT COVER ASSY
	CS1-5690-000	D	1	SPRING, COIL
	CS1-5780-000	D	1	SPRING, COIL
	XA1-3170-509		4	SCREW, CROSS-RECESS, FCH
	XA1-7170-257		1	SCREW, CROSS-RECESS, PH
	XA1-7170-307		2	SCREW, CROSS-RECESS, PH
	X91-1436-910		1	SCREW, CROSS-RECESS, PH
	X91-1737-880		2	SCREW, CROSS-RECESS, PH
	X91-1737-900		4	SCREW, CROSS-RECESS, PH
	X91-1737-930		1	SCREW, CROSS-RECESS, PH
	X91-1738-330		3	SCREW, CROSS-RECESS, PH
	X99-0467-000		1	SCREW, CROSS-RECESS, PH
	X99-0561-000		3	SCREW, CROSS-RECESS, PH

48

CANON T90



P A R T S L I S T

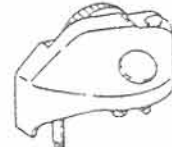
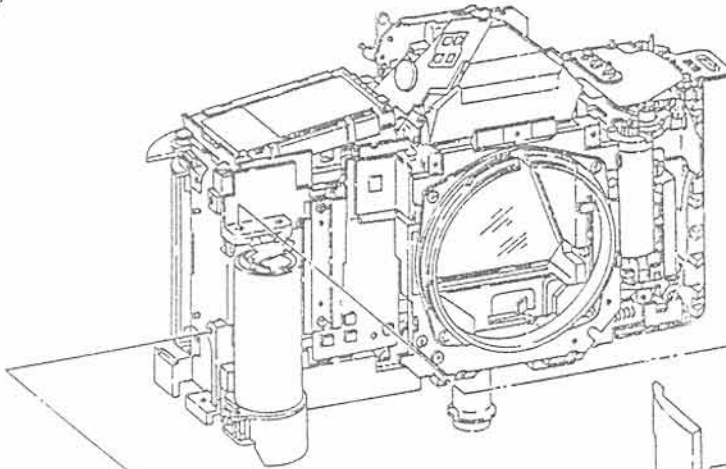
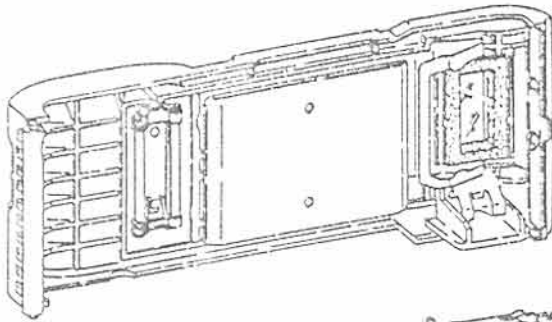
Pg 2

REF. NO. C12-1902

BATTERY CASE

NEW	PARTS NO.	CLASS	QTY	DESCRIPTION
	CA1-6303-000	D	1	CASE-1, BATTERY
	CA1-6304-000	D	1	CASE-2, BATTERY
	CA1-6306-000	D	1	HOLDER, BATTERY PACK
	CA1-6307-000	C	1	KNOB, BATTERY PACK
	CA1-6308-000	E	1	CLAW, BATTERY PACK
	CA1-6309-000	E	1	WASHER, SPRING
	CA1-6310-000	E	1	GUARD, BATTERY CASE
	CA1-6313-000	E	1	PLATE, BATTERY INDICATION
	CA1-6327-000	D	1	OPENER, BATTERY PACK
	CA1-6451-000	E	1	RETAINER, REMOTE JACK
	CA1-6478-000	E	2	SHAFT
	CA1-6489-000	E	1	SPACER, BATTERY PACK
	CA4-1847-000	D	1	CAP TERMINAL
	CG9-2683-000	C	1	BATTERY PACK ASSY
	CS1-5890-000	E	2	SPRING, COIL
	CY1-1225-000	D	1	BATTERY CONTACT ASSY
	CY1-1226-000	D	1	JACK, REMOTE
	CY1-1227-000	D	1	CONTACT-A, FOOL PROOF
	CY1-1228-000	D	1	CONTACT-B, FOOL PROOF
	CY1-1229-000	D	1	CONTACT, BATTERY
	XA4-7170-509		3	SCREW, CROSS-RECESS, PH
	XD3-0100-102		1	PIN, SPRING TUBULAR
	X31-1736-380		6	SCREW, CROSS-RECESS, PH
	X91-1737-900		2	SCREW, CROSS-RECESS, PH
	X99-0494-000		1	SCREW, CROSS-RECESS, PH
	X99-0562-000		1	SCREW, CROSS-RECESS, PH

CANON T90



CSI-5964-000

CAI-6360-000

X99-0588-000x2

CAI-6339-000

XA1-7170-257x3

CAI-6359-000

CSI-6701-000

CSI-5963-000

XA4-6200-459

CAI-6340-000

XA4-8200-707x2

CAI-6414-000

CH2-5005-000

CAI-6496-000

N.S (ACF-678,693)

X91-2024-890x2

X99-0570-000

CSI-5878-000

CAI-6498-000

XG8-1100-571

CAI-6329-080

X99-0494-000

CAI-6330-000

CYI-1230-000

CAI-6335-000

XG8-1100-571

CSI-5878-000

CAI-6338-000

CYI-1231-000

CAI-6334-000

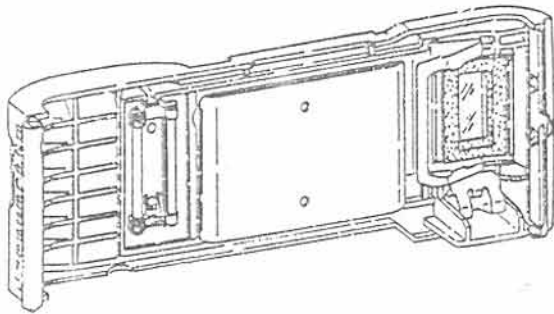
5

REF. NO. C12-1902

GRIP

NEW	PARTS NO.	CLASS	QTY	DESCRIPTION
	CA1-6329-080	E	1	SWITCH PANEL
	CA1-6330-000	E	1	BUTTON, LGD OFF
	CA1-6334-000	E	1	KNOB, AS-ST CHANGE
	CA1-6335-000	E	1	BUTTON, AS-ST MODE
	CA1-6338-000	E	1	SCREW, SHAFT
	CA1-6339-000	D	1	GRIP
	CA1-6340-000	E	1	COVER, GRIP
	CA1-6359-000	D	1	GRIP, PALM
	CA1-6360-000	E	1	BAR, PALM GRIP
	CA1-6414-000	E	1	HINGE, BACK COVER
	CA1-6496-000	E	1	TAPE, GRIP
	CA1-6498-000	E	1	LUG, NECK STRAP
	CH2-5005-000	D	1	CONTACT, RUBBER
	CS1-5878-000	D	2	SPRING, COIL
	CS1-5963-000	E	1	SPRING, COIL
	CS1-5964-000	E	1	SPRING, COIL
	CS1-6701-000	E	1	SPRING
	CY1-1230-000	D	1	PLATE, F. INDICATOR CLICK
	CY1-1231-000	D	1	PLATE, AS-ST CLICK
	XA1-7170-257		3	SCREW, CROSS-RECESS, PH
	XA4-6200-459		1	SCREW, CROSS-RECESS, PH
	XA4-8200-707		2	SCREW, CROSS-RECESS, FCH
	XG8-1100-571		2	BALL, STEEL
	X91-2024-890		2	SCREW, CROSS-RECESS, PH
	X99-0494-000		1	SCREW, CROSS-RECESS, PH
	X99-0570-000		2	SCREW, CROSS-RECESS, PH
	X99-0581-000		2	SCREW, CROSS-RECESS, PH

CANON T90



CGI-0852-000

CAI-5826-000

CSI-5696-000

CAI-5074-000

N.S.

CAI-4158-000

CAI-6529-000_{x2}

CAI-4156-000

CFI-0423-000



CAI-6523-000

X99-0582-000_{x2}

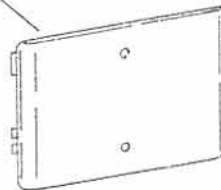
X99-0573-000_{x2}

CAI-6522-000

CAI-6527-000

CAI-6525-000

X99-0582-000



P A R T S L I S T

Pg 4

REF. NO. C12-1902

BACK COVER

NEW	PARTS NO.	CLASS	QTY	DESCRIPTION
	CA1-4156-000	D	1	GUIDE, FILM
	CA1-4158-000	D	1	ROLLER
	CA1-5074-000	E	1	SCREW, STOPPER
	CA1-5826-000	D	1	SHAFT, HINGE
	CA1-6522-000	E	1	CLAW, BACK COVER
	CA1-6523-000	E	1	HOLDER, FILM MAGAZINE
	CA1-6525-000	E	1	PLATE, SPRING
	CA1-6527-000	D	1	SHIELD, LIGHT
	CA1-6529-000	E	2	HOLDER, FILM ROLLER
	CF1-0423-000	D	1	PLATE, PRESSURE
	CG1-0852-000	D	1	BACK COVER UNIT
	CS1-5696-000	D	1	SPRING, COIL
	X99-0573-000		2	SCREW, CROSS-RECESS, PH
	X99-0582-000		3	SCREW, CROSS-RECESS, PH

CANON T90



CG9-2677-000

Rotated 180°

CAI-6486-000

CAI-6342-000



CAI-6346-000

CHI-0501-000

X99-0494-000

XG8-1100-582

N.S

CAI-6345-000

X99-0580-000

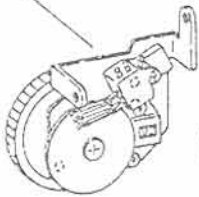
CAI-6347-000

X99-0580-000_{x2}

CSI-5879-000(001)

CSI-5879-000(002) For Service Parts Only
(ACF-673)

N.S



X91-1736-120

CAI-6487-000

CAI-6355-000

CAI-6352-000

CAI-6354-000

CAI-6352-000

CAI-6353-000

CAI-6351-000

X99-0560-000_{x2}

CAI-6350-000

X99-0496-000

CAI-6359-000

CAI-5856-000

CAI-6357-000

XAI-7170-209_{x2}

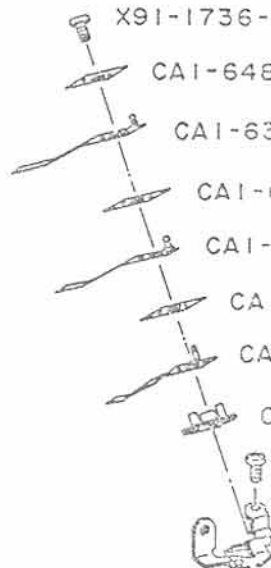
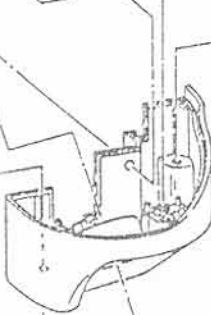
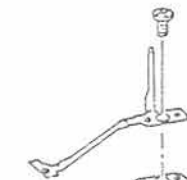
XD2-1200-152

CAI-4177-000(002)

CAI-6341-000

CAI-6356-000

CAI-6349-000

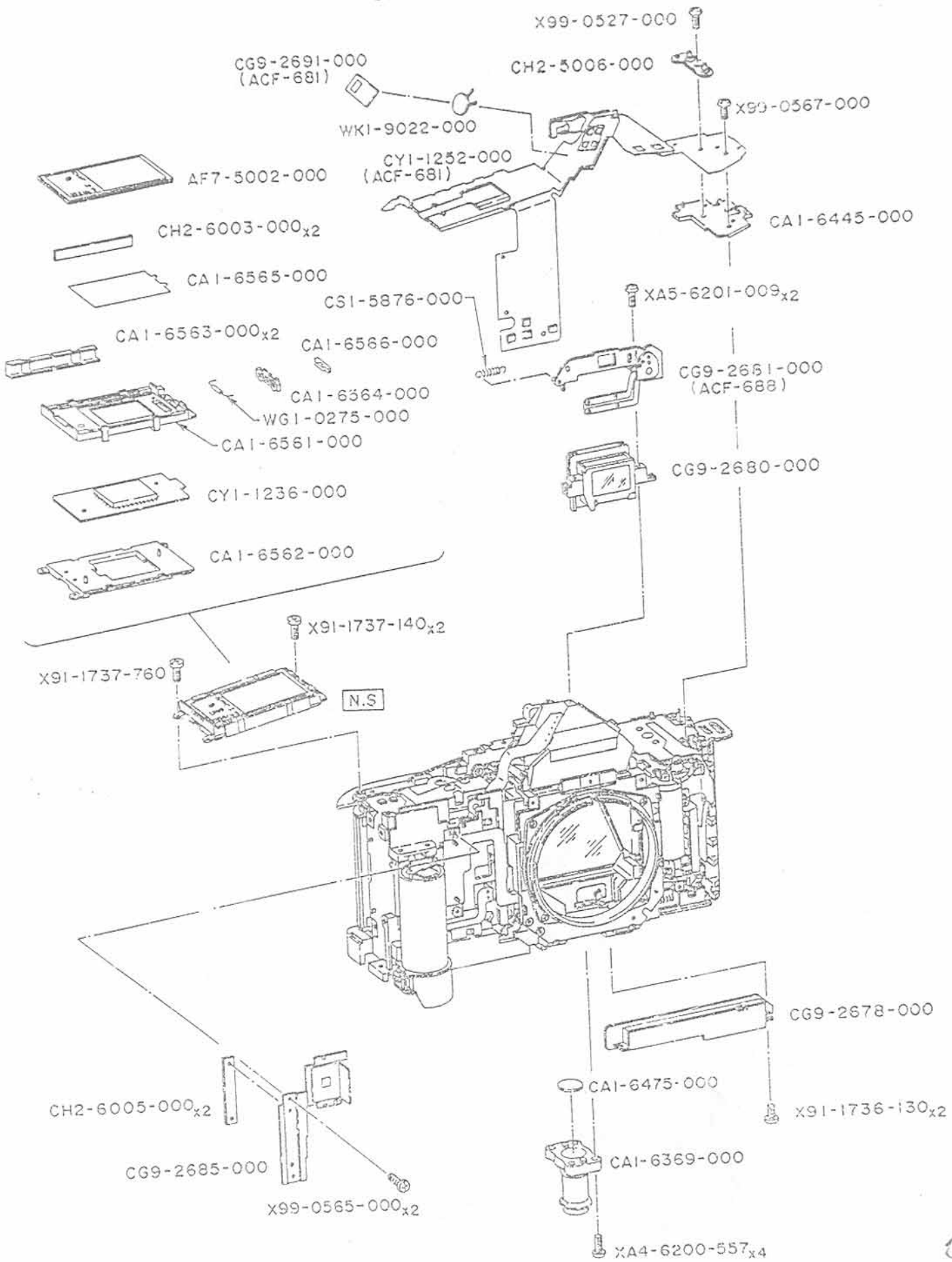


REF. NO. C12-1902

ELECTRONIC INPUT DIAL

NEW	PARTS NO.	CLASS	QTY	DESCRIPTION
	CA1-4177-000(002)	D	1	C RING
	CA1-5856-000	C	1	INSULATOR
	CA1-6341-000	D	1	HEAD, DIAL
	CA1-6342-000	E	1	DIAL, MODE CHANGE
	CA1-6345-000	D	1	CONTACT, DIAL
	CA1-6346-000	E	1	PLATE, CLICK
	CA1-6347-000	E	1	HOLDER, CLICK
	CA1-6349-000	C	1	BUTTON, RELEASE
	CA1-6350-000	E	1	BASEPLATE, RELEASE SW
	CA1-6351-000	E	1	BASE, RELEASE CONTACT
	CA1-6352-000	E	2	INSULATOR
	CA1-6353-000	E	1	CONTACT, RELEASE GND
	CA1-6354-000	E	1	CONTACT, SW-1
	CA1-6355-000	E	1	CONTACT, SW-2
	CA1-6356-000	C	1	BUTTON, SPCT
	CA1-6357-000	E	1	CONTACT, SPOT GND
	CA1-6358-000	E	1	CONTACT, SPOT
	CA1-6486-000	D	1	RING, DIAL
	CA1-6487-000	E	1	INSULATOR
	CG9-2677-000	D	1	RELEASE BUTTON/DIAL ASSY
	CH1-0501-000	E	1	BOARD, CONTACT
	CS1-5879-000(G01)	D	1	SPRING, COIL
	CS1-5879-000(002)	D	1	SPRING, COIL
	XA1-7170-209		2	SCREW, CROSS-RECESS, PH
	XD2-1200-152		1	E RING
	XG8-1100-562		1	BALL, STEEL
	X91-1736-120		1	SCREW, CROSS-RECESS, PH
	X99-0494-000		1	SCREW, CROSS-RECESS, PH
	X99-0496-000		1	SCREW, CROSS-RECESS, PH
	X99-0560-000		2	SCREW, CROSS-RECESS, PH
	X99-0580-000		3	SCREW, CROSS-RECESS, PH

CANON T90

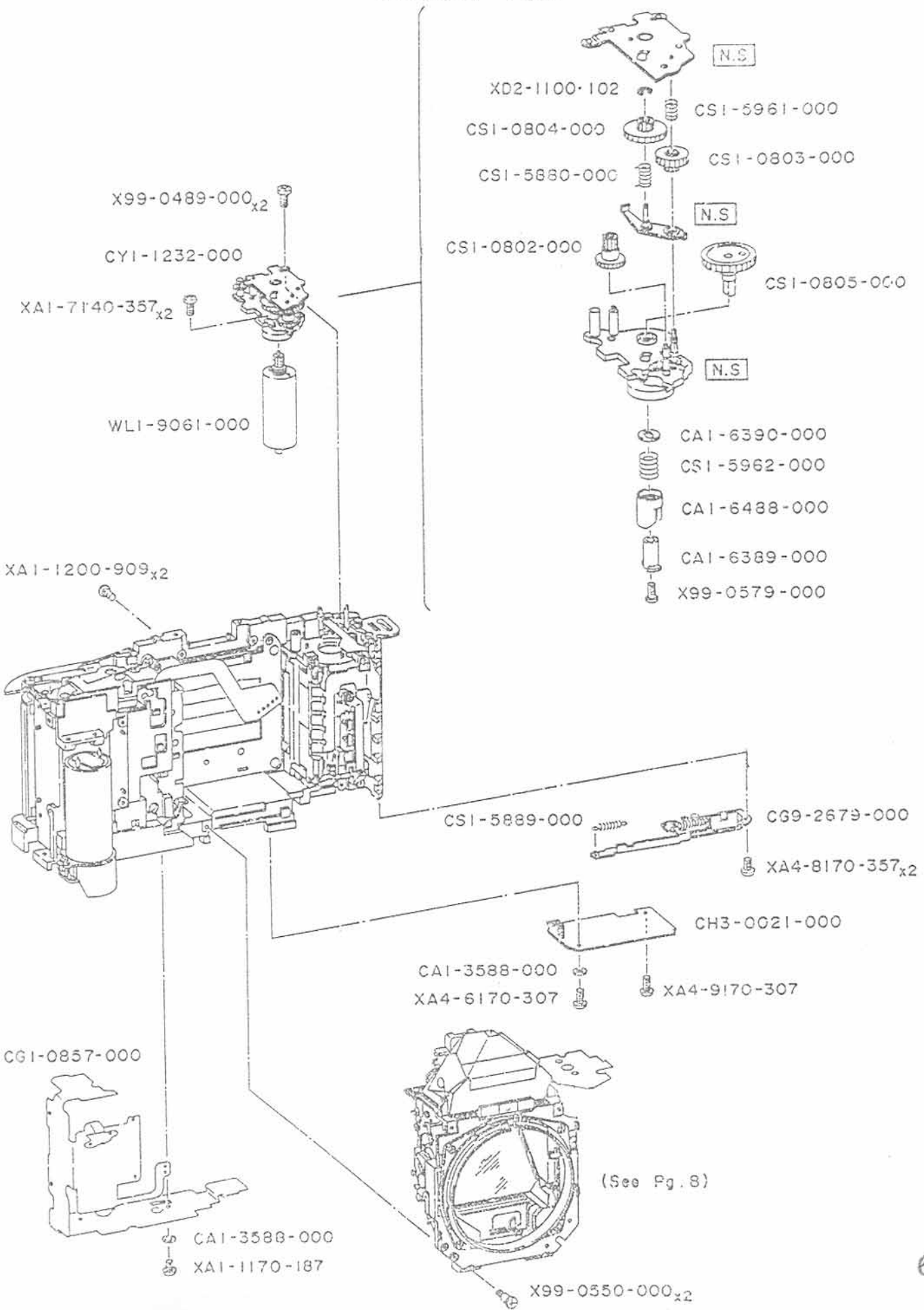


REF. NO. C12-1902

MAIN FLEX, LCD

NEW	PARTS NO.	CLASS	QTY	DESCRIPTION
	AF7-5002-000	E	1	LCD, EXTERNAL
	CA1-6369-000	E	1	SOCKET, TRIPOD
	CA1-6445-000	E	1	BASE, MODE SW
	CA1-6475-000	E	1	CAP, TRIPOD
	CA1-6561-000	E	1	CASE, OLC
	CA1-6562-000	E	1	BASEPLATE, OLC
	CA1-6563-000	E	2	HOLDER, OLC
	CA1-6564-000	E	1	CASE, OLC LAMP
	CA1-6565-000	E	1	REFLECTOR, OLC LIGHT
	CA1-6566-000	E	1	FRAME, OLC LIGHT
	CG9-2678-000	D	1	MAIN SWITCH ASSY
	CG9-2680-000	D	1	EYEPIECE
	CG9-2681-000	E	1	EYEPIECE SHUTTER ASSY
	CG9-2685-000	E	1	SELF-TIMER LED ASSY
	CG9-2691-000	E	1	RESET FLEX ASSY
	CH2-5006-000	D	1	SWITCH, MODE
	CH2-6003-000	E	2	CONNECTOR, OLC
	CH2-6005-000	D	2	CONNECTOR
	CS1-5676-000	E	1	SPRING, COIL
	CY1-1236-000	D	1	OLC PCB ASSY
	CY1-1252-000	D	1	MAIN FLEX ASSY
	WG1-0275-000	D	1	LAMP, SMALL AXL-32
	WK1-9022-000	E	1	LI. BAT.
	XA4-6200-557		4	SCREW, CROSS-RECESS, PH
	XA5-6201-009		2	SCREW, CROSS-RECESS, PH
	X91-1736-130		2	SCREW, CROSS-RECESS, PH
	X91-1737-140		2	SCREW, CROSS-RECESS, PH
	X91-1737-760		1	SCREW, CROSS-RECESS, PH
	X99-0527-000		1	SCREW, CROSS-RECESS, PH
	X99-0565-000		2	SCREW, CROSS-RECESS, PH
	X99-0567-000		1	SCREW, CROSS-RECESS, PH

CANON T90



59

P A R T S L I S T

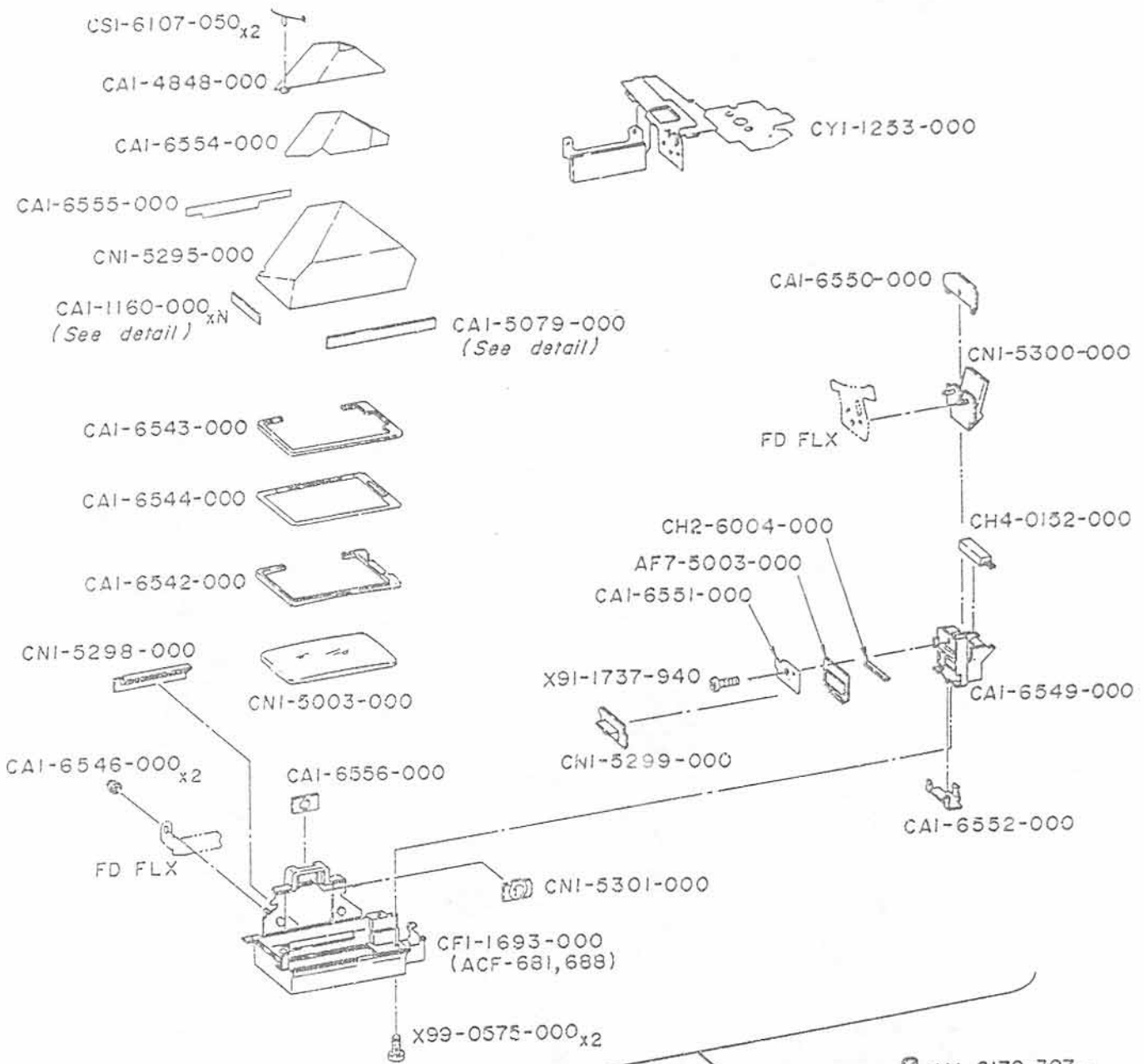
Pg 7

REF. NO. C12-1902

REWIND PARTS

NEW	PARTS NO.	CLASS	QTY	DESCRIPTION
	CA1-3588-000	D	2	WASHER
	CA1-6369-000	E	1	SHAFT, REWIND FORK
	CA1-6390-000	E	1	SPACER
	CA1-6488-000	D	1	FORK, REWIND
	CG1-0857-000	D	1	MOTOR FLEX ASSY
	CG9-2679-000	E	1	STOP-DOWN MECH. ASSY
	CH3-0021-000	D	1	CONVERTER, DC/DC
	CS1-0802-000	E	1	GEAR, RW
	CS1-0803-000	E	1	GEAR, RW-S
	CS1-0804-000	E	1	GEAR, RW-P
	CS1-0805-000	D	1	GEAR, FORK
	CS1-5880-000	E	1	SPRING, COIL
	CS1-5889-000	E	1	SPRING, COIL
	CS1-5961-000	E	1	SPRING, COIL
	CS1-5962-000	E	1	SPRING, COIL
	CY1-1232-000	E	1	REWIND MECH. ASSY
	WL1-9061-000	D	1	MOTOR, REWINDING
	XA1-1170-187		1	SCREW, CROSS-RECESS, PH
	XA1-1200-909		2	SCREW, CROSS-RECESS, PH
	XA1-7140-357		2	SCREW, CROSS-RECESS, PH
	XA4-8170-307		1	SCREW, CROSS-RECESS, PH
	XA4-8170-357		2	SCREW, CROSS-RECESS, FCH
	XA4-9170-307		1	SCREW, CROSS-RECESS, PH
	X02-1100-102		1	E RING
	X99-0489-000		2	SCREW, CROSS-RECESS, PH
	X99-0550-000		2	SCREW, SLOTTED, OFH
	X99-0579-000		1	SCREW, CROSS-RECESS, PH

CANON T90



CAI-1160-000 detail

A	SIZE
0.10 mm	(010)
0.20 mm	(020)
0.25 mm	(025)
0.30 mm	(030)
0.35 mm	(035)

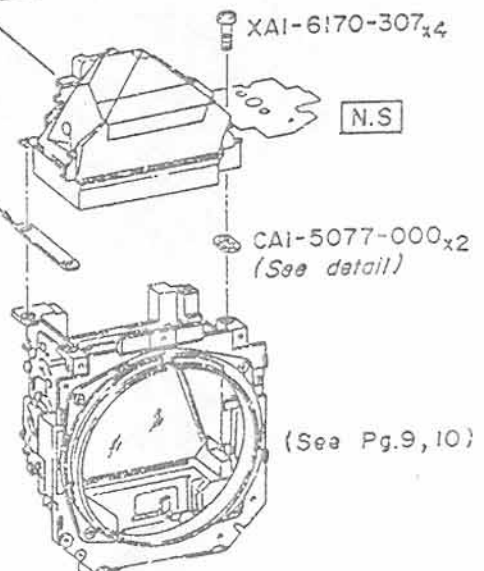
CAI-5079-000 detail

A	SIZE
0.30 mm	(030)
0.50 mm	(050)

CAI-5077-000
CAI-6449-000 detail

A	SIZE	A	SIZE
0.05 mm	(005)	0.25 mm	(025)
0.10 mm	(010)	0.30 mm	(030)
0.15 mm	(015)	0.35 mm	(035)
0.20 mm	(020)	0.40 mm	(040)

CAI-6449-000
(See detail)



P A R T S L I S T

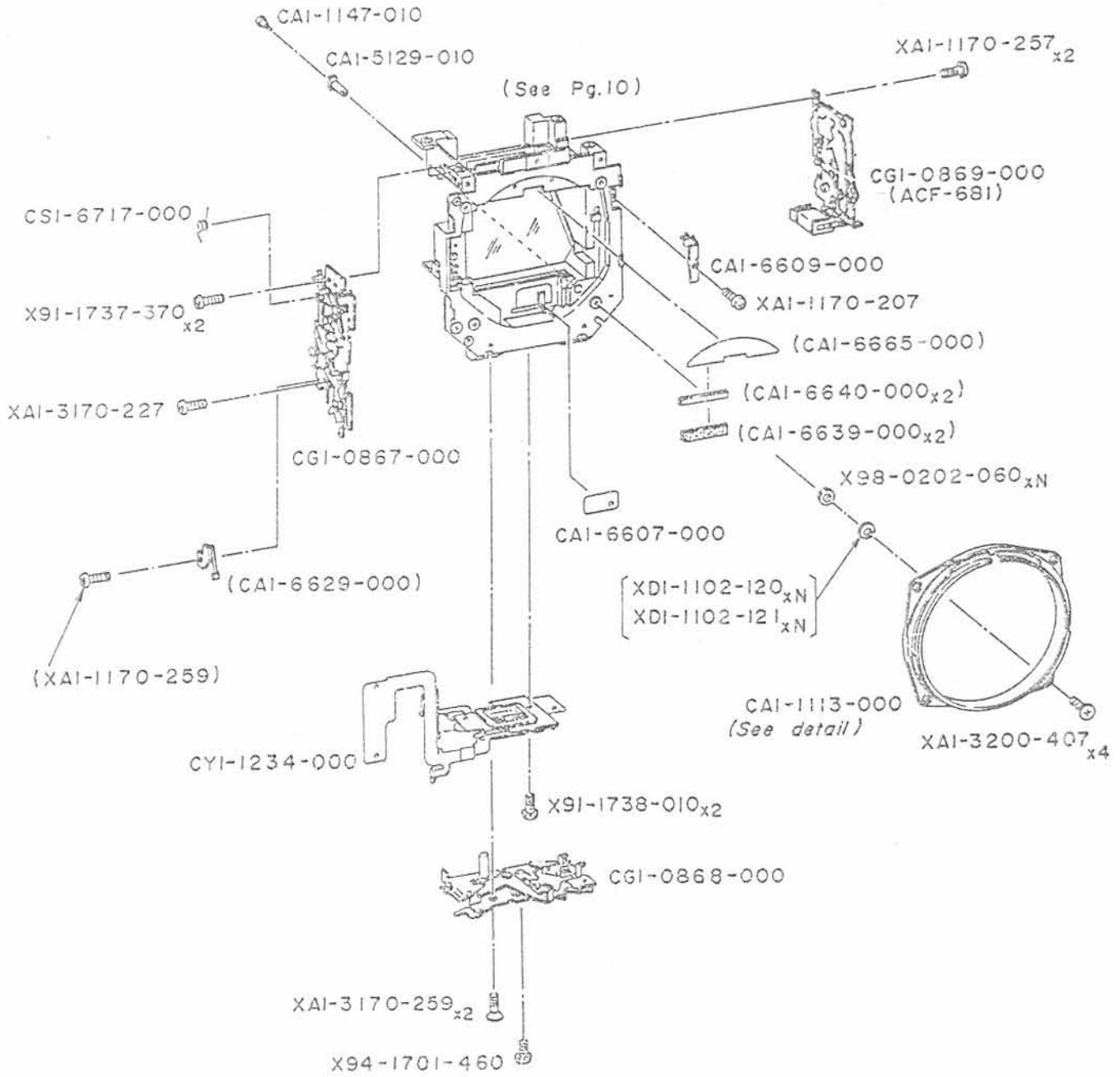
Pg 8

REF. NO. C12-1902

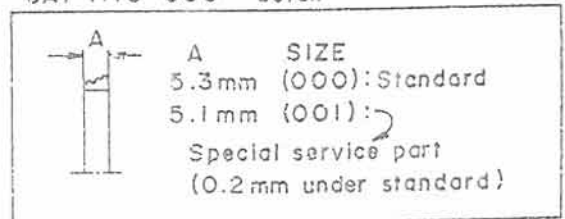
PENTAPRISM UNIT

NEW	PARTS NO.	CLASS	QTY	DESCRIPTION
	AF7-5003-000	E	1	LCD, INTERNAL
	CA1-1160-000(XXX)	E	1	SPACER
	CA1-4848-000	E	1	HOLDER, PENTAPRISM
	CA1-5077-000(XXX)	E	2	WASHER
	CA1-5079-000(XXX)	D	1	SPACER
	CA1-6449-000(XXX)	E	1	WASHER, ADJUSTING
	CA1-6542-000	E	1	HOLDER, CONDENSER LENS
	CA1-6543-000	E	1	SPACER, PENTAPRISM
	CA1-6544-000	E	1	MASK, FINDER
	CA1-6546-000	E	2	NUT
	CA1-6549-000	E	1	BASE, ILC
	CA1-6550-000	E	1	HOLDER, LIGHT GUIDE
	CA1-6551-000	E	1	HOLDER, ILC
	CA1-6552-000	E	1	HOLDER, F. INFORMATION PRISM
	CA1-6554-000	E	1	COVER, PENTAPRISM
	CA1-6555-000	E	1	SHIELD, LIGHT
	CA1-6556-000	E	1	PANEL, DIFFUSION
	CF1-1693-000	E	1	BOX, PENTAPRISM
	CH2-6004-000	D	1	CONNECTOR
	CH4-0152-000	D	1	LED LS007C
	CN1-5003-000	D	1	LENS, CONDENSER
	CN1-5295-000	D	1	PENTAPRISM
	CN1-5298-000	D	1	PRISM, LED INFORMATION
	CN1-5299-000	D	1	PRISM, ILC INFORMATION
	CN1-5300-000	E	1	PRISM, LIGHT GUIDE
	CN1-5301-000	E	1	LENS, PARTIAL METERING
	CS1-6107-050	E	2	SPRING
	CY1-1253-000	D	1	FINDER FLEX ASSY
	XA1-6170-307		4	SCREW, CROSS-RECESS, PH
	X91-1737-940		1	SCREW, CROSS-RECESS, PH
	X99-0575-000		2	SCREW, CROSS-RECESS, PH

CANON T90



CAI-1113-000 detail

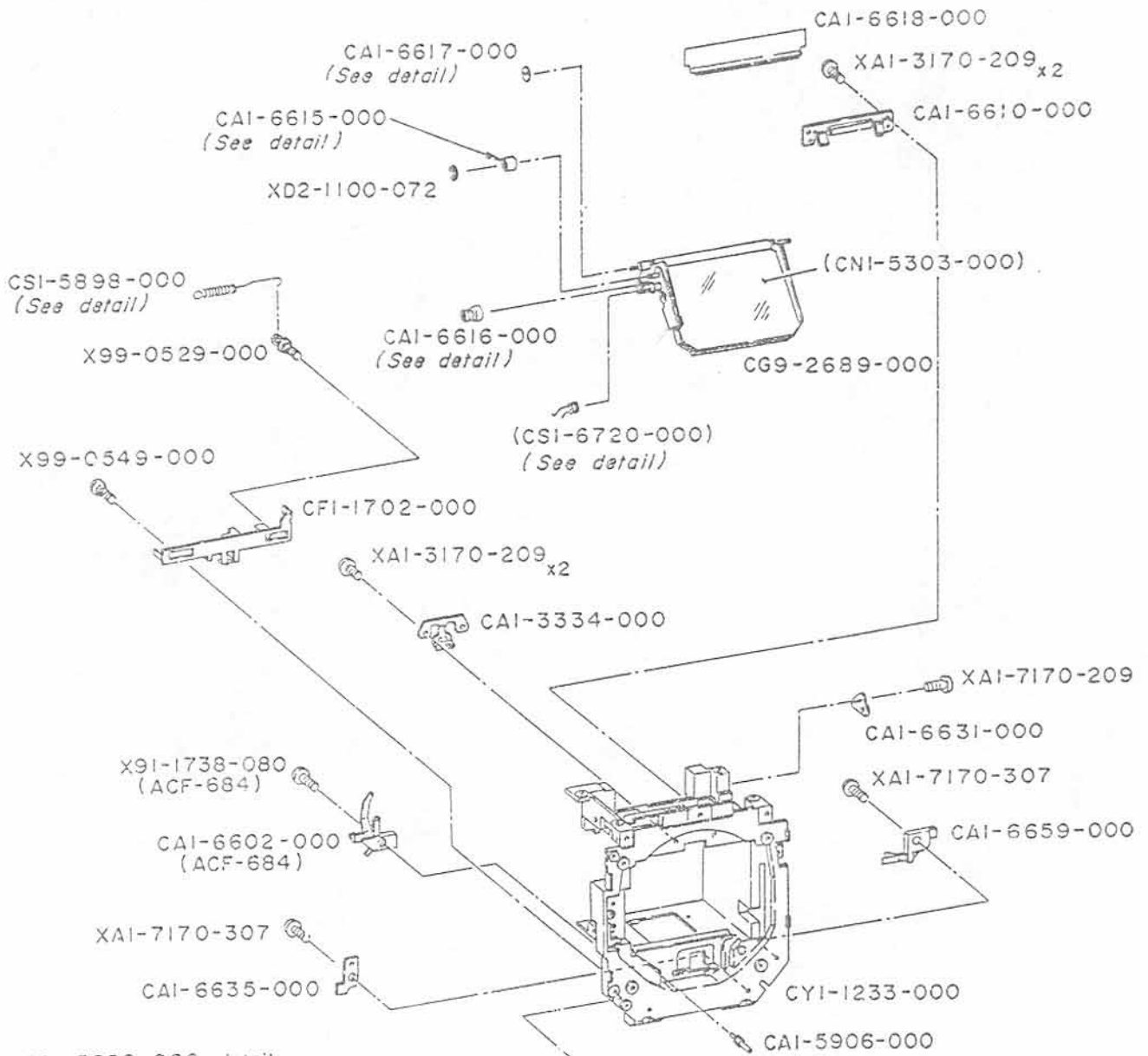


REF. NO. C12-1902

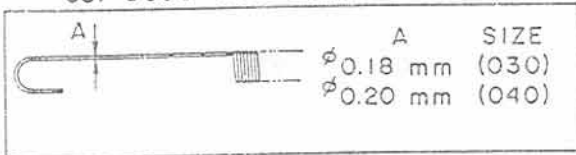
MIRROR BOX I

NEW	PARTS NO.	CLASS	QTY	DESCRIPTION
	CA1-1113-000(XXX)	D	1	BODY MOUNT
	CA1-1147-010	D	1	SCREW, MAX. APERTURE CORRECTION
	CA1-5129-010	D	1	PIN, MAX. APERTURE CORRECTION
	CA1-6607-000	C	1	PLATE, INDICATOR
	CA1-6609-000	E	1	GUARD, AE BRUSH
	CA1-6629-000	D	1	CONTACT, MIRROR UP-DOWN
	CA1-6639-000	D	2	CUSHION
	CA1-6640-000	E	2	CUSHION
	CA1-6665-000	D	1	SHIELD, LIGHT
	CG1-0867-000	D	1	MIRROR MECHANISM UNIT
	CG1-0868-000	D	1	AUTO DIAPHRAGM UNIT
	CG1-0869-000	D	1	AE UNIT
	CS1-6717-000	E	1	SPRING
	CY1-1234-000	E	1	DTTL/SPOT FLEX ASSY
	XA1-1170-207		1	SCREW, CROSS-RECESS, PH
	XA1-1170-257		2	SCREW, CROSS-RECESS, PH
	XA1-1170-259		1	SCREW, CROSS-RECESS, PH
	XA1-3170-227		1	SCREW, CROSS-RECESS, FCH
	XA1-3170-259		2	SCREW, CROSS-RECESS, FCH
	XA1-3200-407		4	SCREW, CROSS-RECESS, FCH
	XD1-1102-120		1	WASHER
	XD1-1102-121		1	WASHER
	X91-1737-370		2	SCREW, CROSS-RECESS, PH
	X91-1738-010		2	SCREW, CROSS-RECESS, PH
	X94-1701-460		1	SCRE, SLOTTED, FCH
	X98-0202-060		1	WASHER

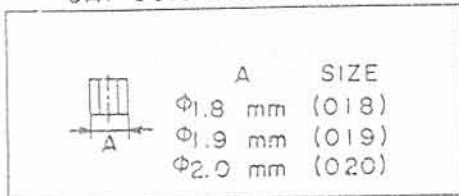
CANON T90



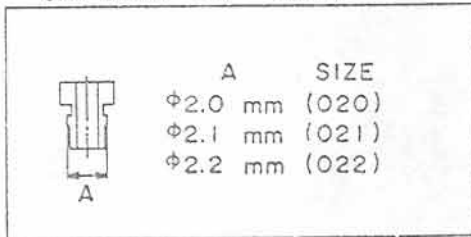
CSI-5898-000 detail



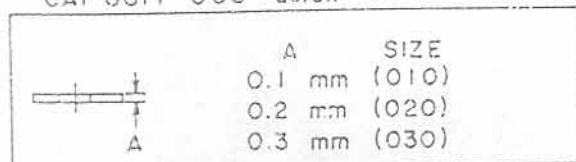
CAI-6615-000 detail



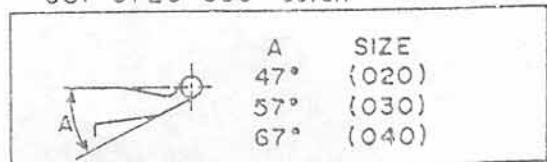
CAI-6616-000 detail



CAI-6617-000 detail



CSI-6720-000 detail



P A R T S L I S T

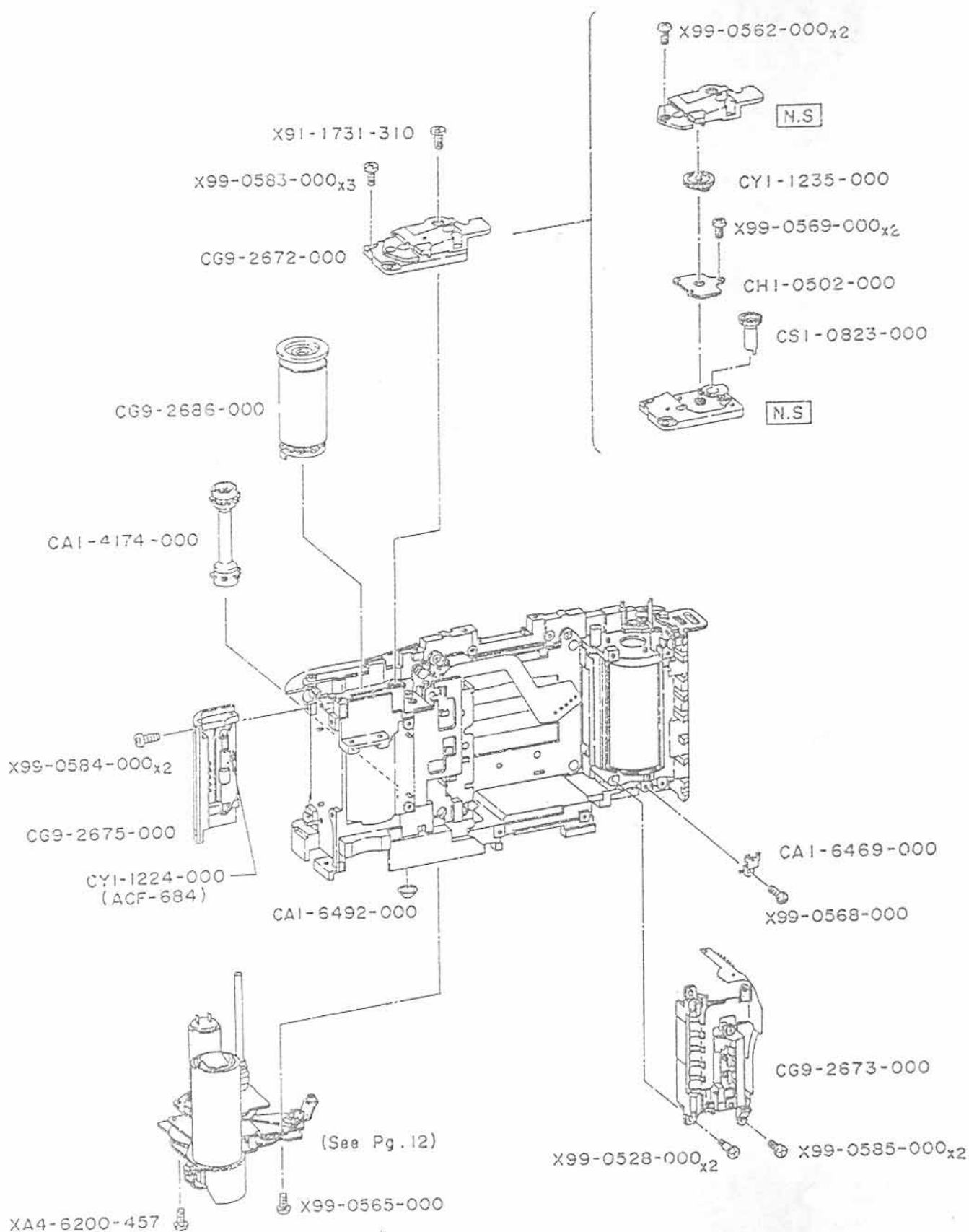
Pg 10

REF. NO. C12-1902

MIRROR BOX II

NEW	PARTS NO.	CLASS	QTY	DESCRIPTION
	CA1-3334-000	C	1	CATCH, FOCUSING SCREEN
	CA1-5906-000	E	1	PIN, A.M.
	CA1-6494-000	E	1	LUG
	CA1-6602-000	E	1	CONTACT, A-M CHANGE
	CA1-6610-000	E	1	BRACKET, FOCUSING SCREEN
	CA1-6615-000(XXX)	E	1	COLLAR
	CA1-6616-000(XXX)	E	1	COLLAR, ADJUSTING
	CA1-6617-000(XXX)	E	1	WASHER
	CA1-6618-000	E	1	SHIELD, LIGHT
	CA1-6631-000	E	1	PLATE, MIRROR POSITIONING
	CA1-6635-000	E	1	GUIDE, SW POSITIONING
	CA1-6659-000	E	1	CONTACT, STOP-DOWN METERING
	CF1-1702-000	E	1	LEVER, STOP-DOWN METERING
	GG9-2689-000	D	1	MIRROR ASSY
	CN1-5303-000	D	1	MIRROR
	CS1-5898-000(XXX)	E	1	SPRING
	CS1-6720-000(XXX)	E	1	SPRING
	CY1-1233-000	E	1	PANEL, FRONT
	XA1-1170-207		1	SCREW, CROSS-RECESS, PH
	XA1-3170-209		4	SCREW, CROSS-RECESS, FCH
	XA1-7170-209		1	SCREW, CROSS-RECESS, PH
	XA1-7170-307		3	SCREW, CROSS-RECESS, PH
	XD2-1100-072		1	E RING
	X91-1738-080		1	SCREW, CROSS-RECESS, PH
	X99-0529-000		1	SCREW, SLOTTED, SHOULDER
	X99-0549-000		1	SCREW, SLOTTED, SHOULDER

CANON T90



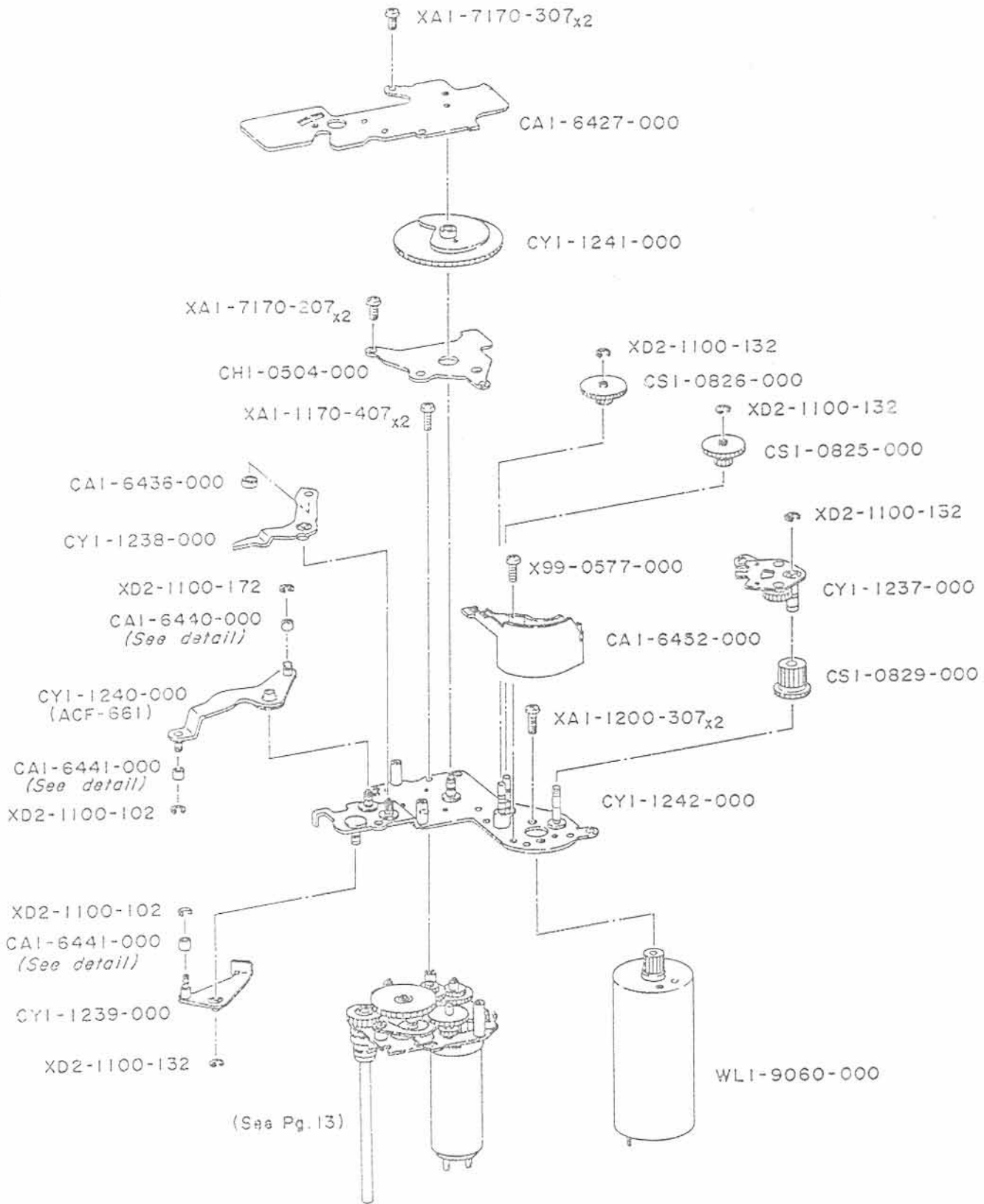
P A R T S L I S T

REF. NO. C12-1902

SPOOL, SPROCKET

NEW	PARTS NO.	CLASS	QTY	DESCRIPTION
	CA1-4174-000	E	1	SPROCKET
	CA1-6469-000	E	1	CONTACT, FILM MAGAZINE
	CA1-6492-000	D	1	WASHER
	CG9-2672-000	D	1	MOTOR SIGNAL BASE ASSY
	CG9-2673-000	D	1	DX SENSOR ASSY
	CG9-2675-000	D	1	ROLLER HOLDER ASSY
	CG9-2686-000	E	1	SPOOL ASSY
	CH1-3502-000	E	1	BOARD, CONTACT
	CS1-0823-000	E	1	GEAR, SPROCKET
	CY1-1224-000	E	1	SPRING, AL COVER (2)
	CY1-1235-000	E	1	GEAR, MOTOR SIGNAL
	XA4-6200-457		1	SCREW, CROSS-RECESS, PH
	X91-1731-310		1	SCREW, CROSS-RECESS, PH
	X99-0528-000		2	SCREW, CROSS-RECESS, SHOULDER
	X99-0562-000		2	SCREW, CROSS-RECESS, PH
	X99-0565-000		1	SCREW, CROSS-RECESS, PH
	X99-0568-000		1	SCREW, CROSS-RECESS, PH
	X99-0569-000		2	SCREW, CROSS-RECESS, PH
	X99-0583-000		3	SCREW, CROSS-RECESS, PH
	X99-0584-000		2	SCREW, CROSS-RECESS, PH
	X99-0585-000		2	SCREW, CROSS-RECESS, PH

CANON T90



CAI-6440-000 detail

	A	SIZE	A	SIZE
	φ2.6 mm	(026)	φ3.2 mm	(032)
	φ2.8 mm	(028)	φ3.4 mm	(034)
	φ3.0 mm	(030)	φ3.6 mm	(036)

CAI-6441-000 detail

	A	SIZE	A	SIZE
	φ2.2 mm	(022)	φ3.0 mm	(030)
	φ2.4 mm	(024)	φ3.2 mm	(032)
	φ2.6 mm	(026)	φ3.4 mm	(034)
	φ2.8 mm	(028)		

P A R T S L I S T

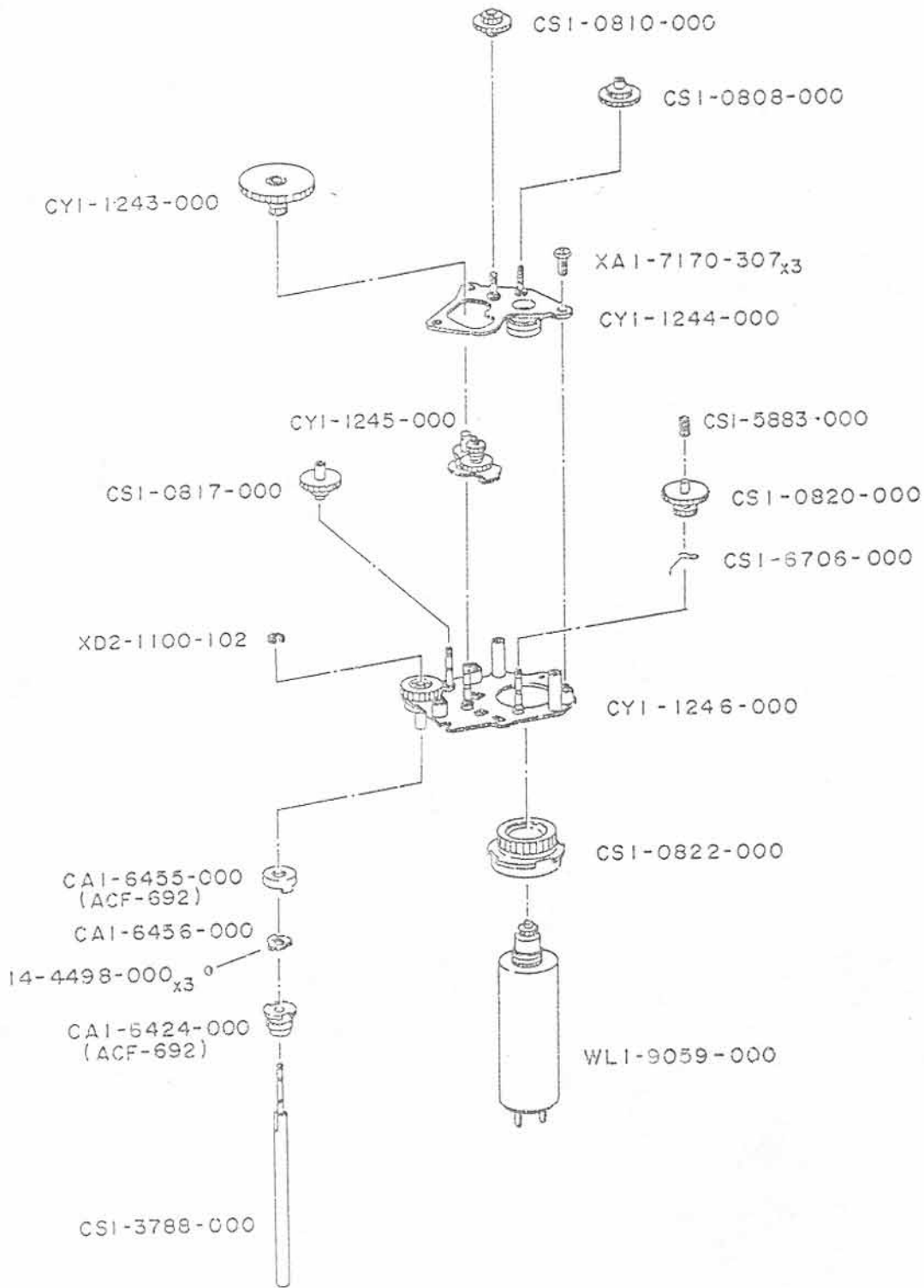
Pg 12

REF. NO. C12-1902

DRIVE UNIT I

NEW	PARTS NO.	CLASS	QTY	DESCRIPTION
	CA1-6427-000	E	1	PLATE
	CA1-6436-000	E	1	BEARING, BALL
	CA1-6440-000(XXX)	D	1	COLLAR, ADJUSTING
	CA1-6441-000(XXX)	D	2	COLLAR, ADJUSTING
	CA1-6452-000	E	1	GUIDE, WIRE
	CH1-0504-000	E	1	BOARD, CONTACT
	CS1-0825-000	E	1	GEAR, CHARGE-1
	CS1-0826-000	E	1	GEAR, CHARGE-2
	CS1-0829-000	E	1	GEAR, SUN
	CY1-1237-000	E	1	PLANETARY GEAR ASSY
	CY1-1238-000	E	1	LEVER, SHUTTER CHARGE-1
	CY1-1239-000	E	1	LEVER, SHUTTER CHARGE-2
	CY1-1240-000	E	1	LEVER, FRONT PANEL CHARGE
	CY1-1241-000	E	1	GEAR, CHARGE CAM
	CY1-1242-000	E	1	BASEPLATE, CHARGE MECH.
	WL1-9060-000	D	1	MOTOR, CHARGE
	XA1-1170-407		2	SCREW, CROSS-RECESS, PH
	XA1-1200-307		2	SCREW, CROSS-RECESS, PH
	XA1-7170-207		2	SCREW, CROSS-RECESS, PH
	XA1-7170-307		2	SCREW, CROSS-RECESS, PH
	XD2-1100-102		2	E RING
	XD2-1100-132		4	E RING
	XD2-1100-172		1	E RING
	X99-0577-000		1	SCREW, CROSS-RECESS, PH

CANON T90



P A R T S L I S T

Pg 13


REF. NO. C12-1902

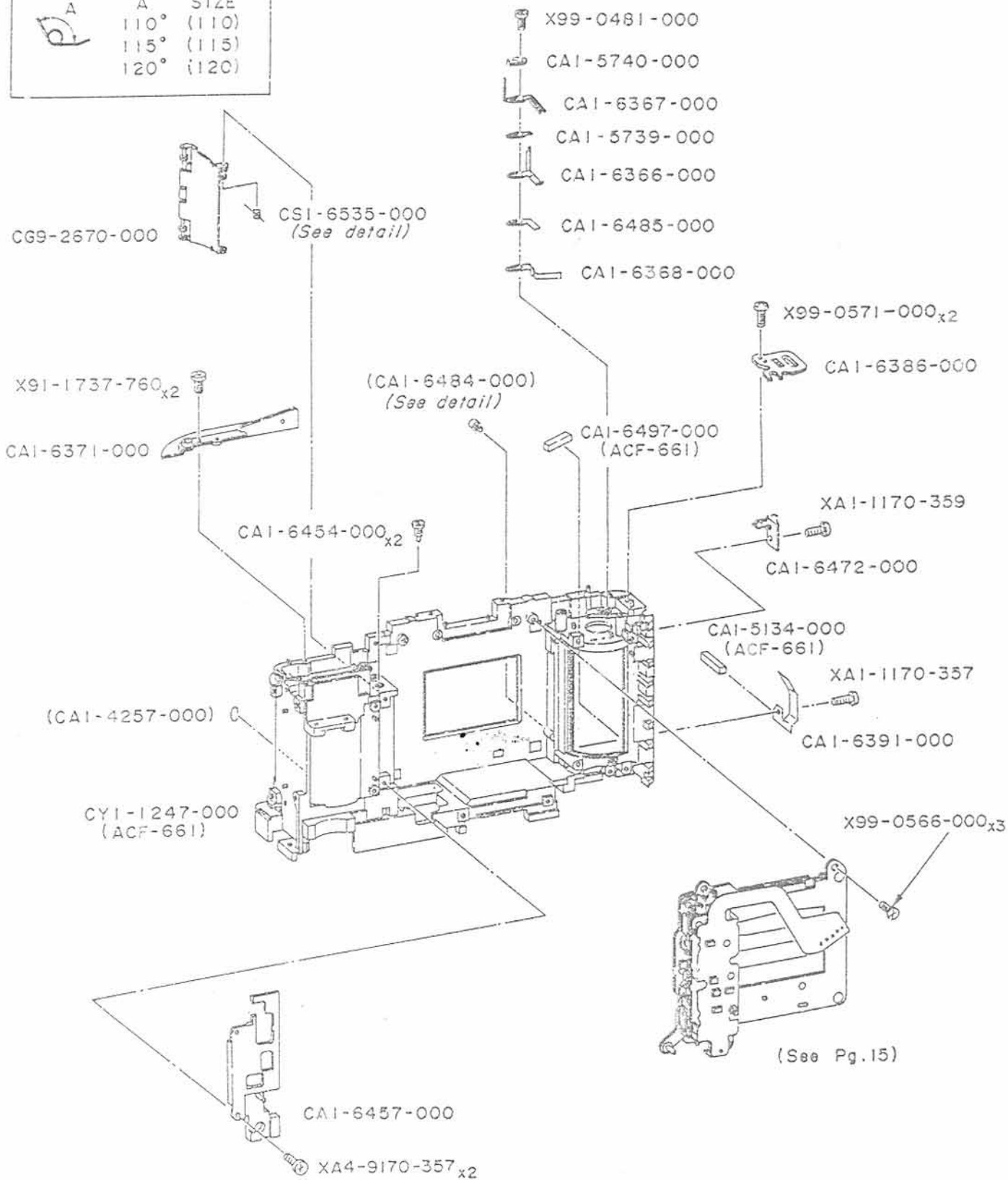
DRIVE UNIT II

NEW	PARTS NO.	CLASS	QTY	DESCRIPTION
	14-4498-000	C	3	BALL, STEEL
	CA1-6424-000	E	1	CLUTCH, ONE WAY
	CA1-6455-000	E	1	CAP, ONE WAY CLUTCH
	CA1-6456-000	E	1	CAM, ONE WAY
	CS1-0808-000	E	1	GEAR, WINDING-2
	CS1-0810-000	E	1	GEAR, WINDING-3
	CS1-0817-000	E	1	GEAR, WINDING-7
	CS1-0820-000	E	1	GEAR, WINDING-9
	CS1-0822-000	E	1	GEAR, WINDING-10
	CS1-3788-000	E	1	SHAFT, SPROCKET
	CS1-5883-000	E	1	SPRING, COIL
	CS1-6705-000	E	1	SPRING
	CY1-1243-000	E	1	GEAR, WINDING-4
	CY1-1244-000	E	1	BASEPLATE, INTERMEDIATE
	CY1-1245-000	E	1	PLANETARY GEAR ASSY
	CY1-1246-000	E	1	BASEPLATE, WINDING MECH.
	WL1-9059-000	D	1	MOTOR, WINDING
	XA1-7170-307		3	SCREW, CROSS-RECESS, PH
	XD2-1100-102		1	E RING

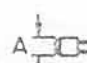
CANON T90

CSI-6535-000 detail

A	A	SIZE
	110°	(110)
	115°	(115)
	120°	(120)



CAI-6484-000 detail

A	A	SIZE
	φ2.4 mm	(024)
	φ2.5 mm	(025)
	φ2.6 mm	(026)

P A R T S L I S T

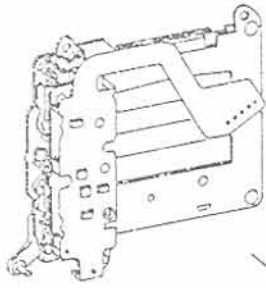
Pg 14

REF. NO. C12-1902

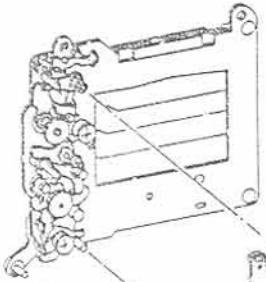
BODY PARTS, MINOR

NEW	PARTS NO.	CLASS	QTY	DESCRIPTION
	CA1-4257-000	D	1	SEAL, FILM
	CA1-5134-000	E	1	LIGHT SHIELD
	CA1-5739-000	D	1	INSULATOR
	CA1-5740-000	D	1	SPACER
	CA1-6366-000	D	1	CONTACT, BACK COVER
	CA1-6367-000	D	1	CONTACT (GND), BACK COVER
	CA1-6368-000	E	1	PLATE, SAFETY LOCK
	CA1-6371-000	E	1	COVER
	CA1-6386-000	E	1	LUG, NECK STRAP
	CA1-6391-000	E	1	SPRING, PLATE
	CA1-6454-000	E	2	SCREW, AL COVER SHAFT
	CA1-6457-000	E	1	SPACER, FLEX
	CA1-6472-000	E	1	STABILIZER, CARTRIDGE
	CA1-6484-000 (XXX)	E	1	SHAFT, FILM GUIDE
	CA1-6485-000	E	1	INSULATOR
	CA1-6497-000	E	1	LIGHT SHIELD
	CG9-2670-000	D	1	AL COVER ASSY
	CS1-6535-000 (XXX)	E	1	SPRING
	CY1-1247-000	E	1	BODY
	XA1-1170-357		1	SCREW, CROSS-RECESS, PH
	XA1-1170-359		1	SCREW, CROSS-RECESS, PH
	XA4-9170-357		2	SCREW, CROSS-RECESS, PH
	X91-1737-760		2	SCREW, CROSS-RECESS, PH
	X99-0481-000		1	SCREW, CROSS-RECESS, PH
	X99-0566-000		3	SCREW, CROSS-RECESS, PH
	X99-0571-000		3	SCREW, CROSS-RECESS, PH

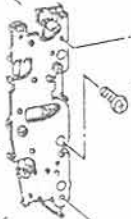
CANON T90



CGI-0871-000
(ACF-684)



(See Pg. 16)



N.S

X9I-1436-300

CAI-6759-000

X9I-1436-300

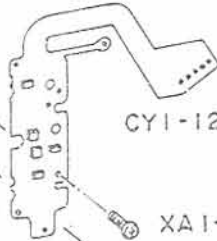


CYI-1251-000

N.S



CYI-1250-000



XAI-7140-227

XAI-7140-227_{x3}



N.S

CFI-1732-000



CSI-0892-000

N.S

N.S

CSI-6741-000

CSI-6742-000

N.S

XAI-7140-227_{x2}

XD2-1100-172

CSI-0891-000

CSI-6731-000

N.S

P A R T S L I S T

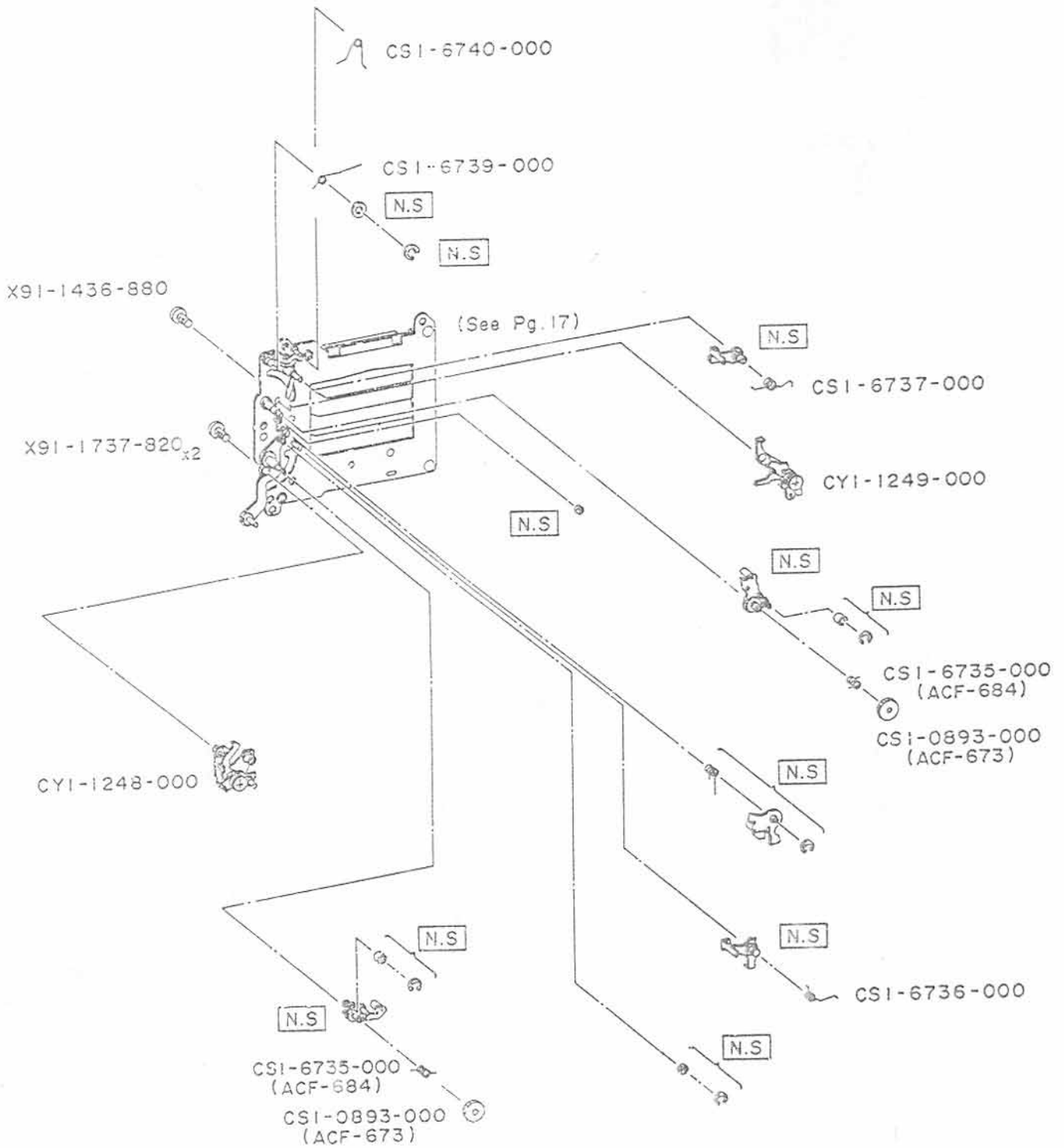
Pg 15

REF. NO. C12-1902

SHUTTER UNIT I

NEW	PARTS NO.	CLASS	QTY	DESCRIPTION
	CA1-6759-000	E	1	SHIELD, LIGHT
	CF1-1732-000	D	1	BASE, X CONTACT
	CG1-0871-000	D	1	SHUTTER UNIT
	CS1-0891-000	E	1	SHAFT, 1ST CURTAIN WORM
	CS1-0892-000	E	1	SHAFT, 2ND CURTAIN WORM
	CS1-6731-000	E	1	SPRING
	CS1-6741-000	E	1	SPRING
	CS1-6742-000	E	1	SPRING
	CY1-1250-000	E	1	SHUTTER FLEX ASSY
	CY1-1251-000	E	1	SHUTTER MAGNET ASSY
	XA1-7140-227		6	SCREW, CROSS-RECESS, PH
	XD2-1100-172		1	E RING
	X91-1436-300		2	SCREW, CROSS-RECESS, PH

CANON T90



P A R T S L I S T

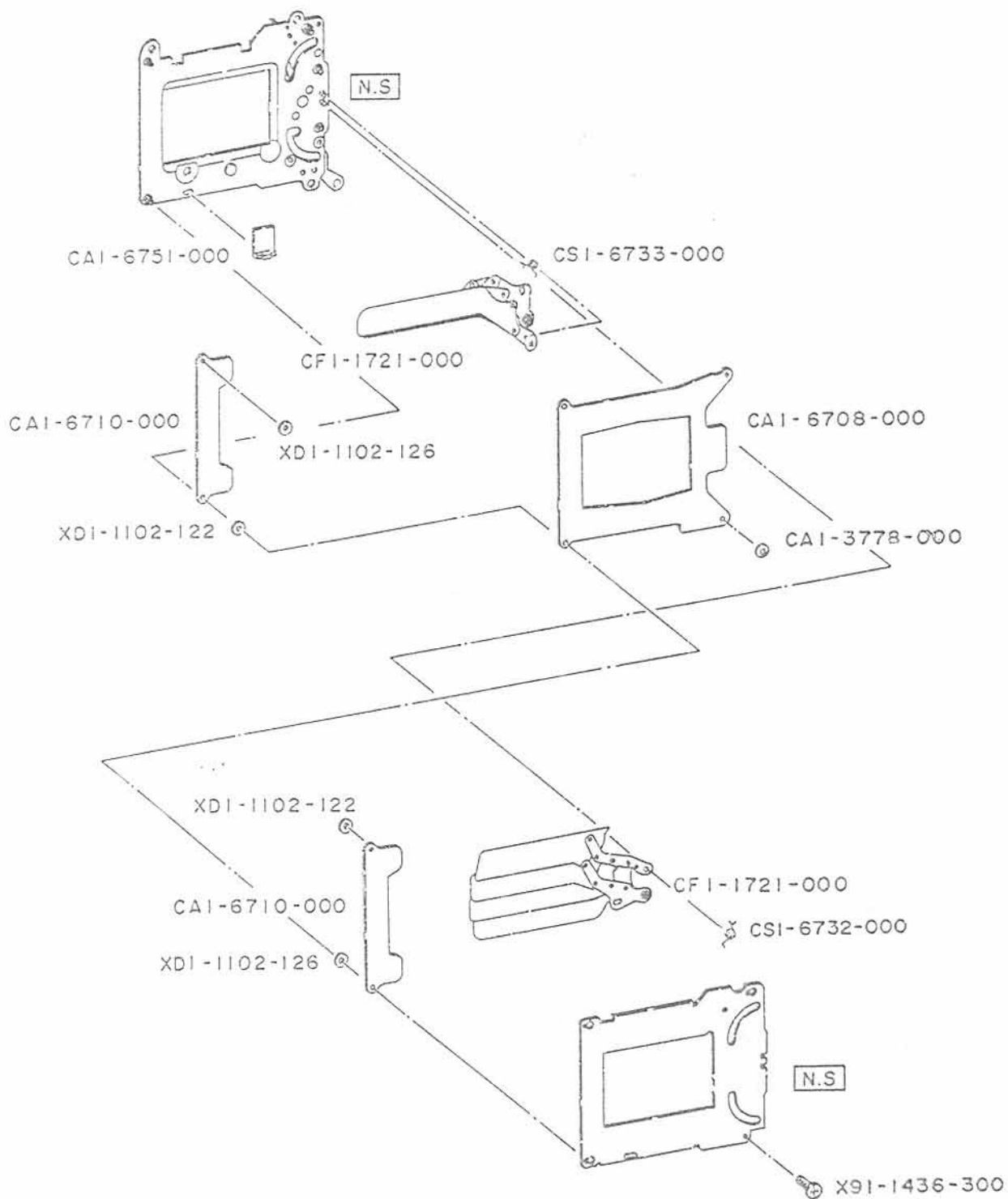
Pg 16

REF. NO. C12-1902

SHUTTER UNIT II

NEW	PARTS NO.	CLASS	QTY	DESCRIPTION
	CS1-0893-000	E	2	GEAR
	CS1-6735-000	E	2	SPRING
	CS1-6736-000	E	1	SPRING
	CS1-6737-000	E	1	SPRING
	CS1-6739-000	E	1	SPRING
	CS1-6740-000	E	1	SPRING
	CY1-1248-000	D	1	1ST CURTAIN BRAKE ASSY
	CY1-1249-000	D	1	2ND CURTAIN BRAKE ASSY
	X91-1436-880		1	SCREW, CROSS-RECESS, PH
	X91-1737-820		2	SCREW, CROSS-RECESS, PH

CANON T90

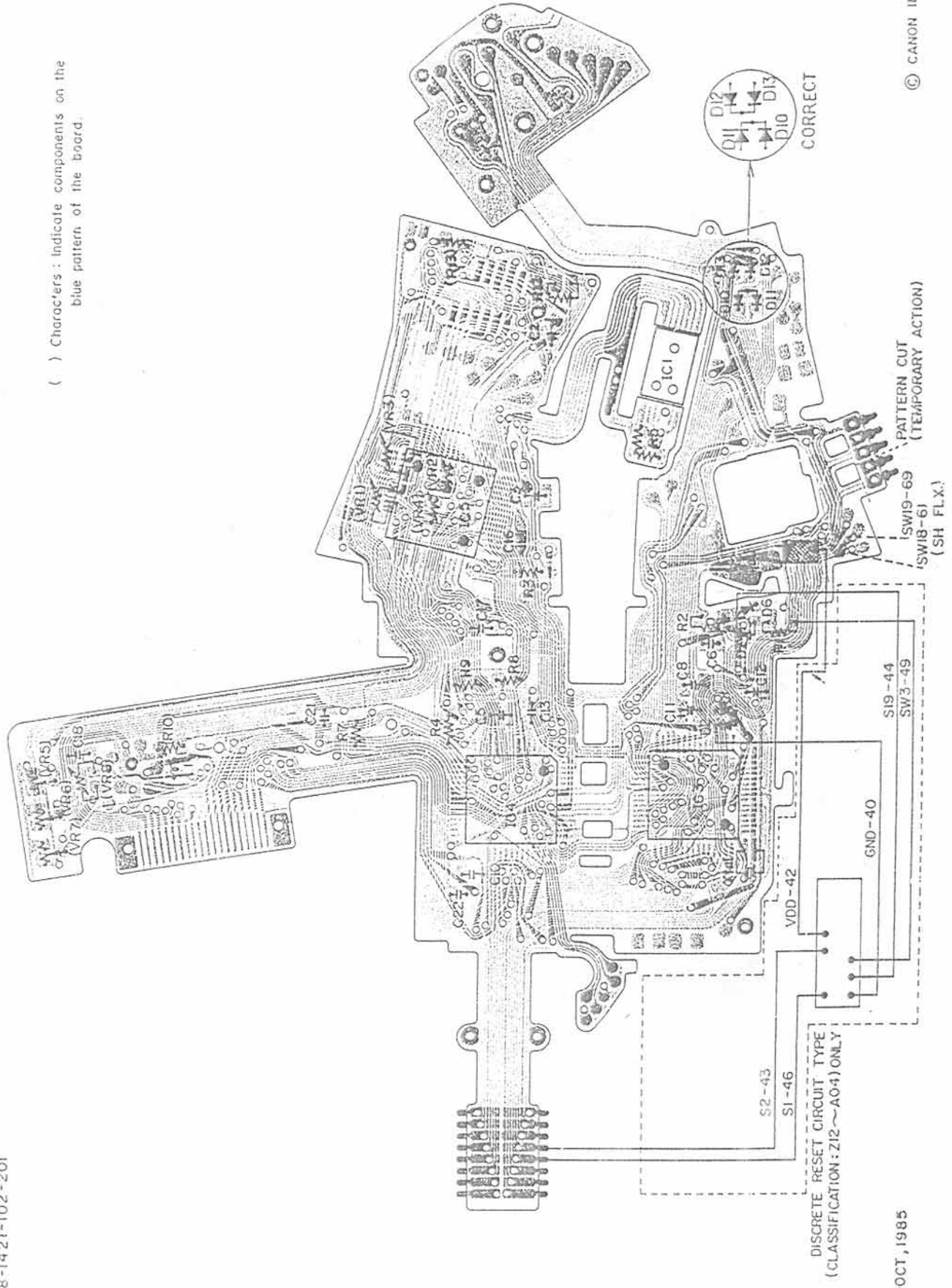


REF. NO. C12-1902

SHUTTER UNIT III

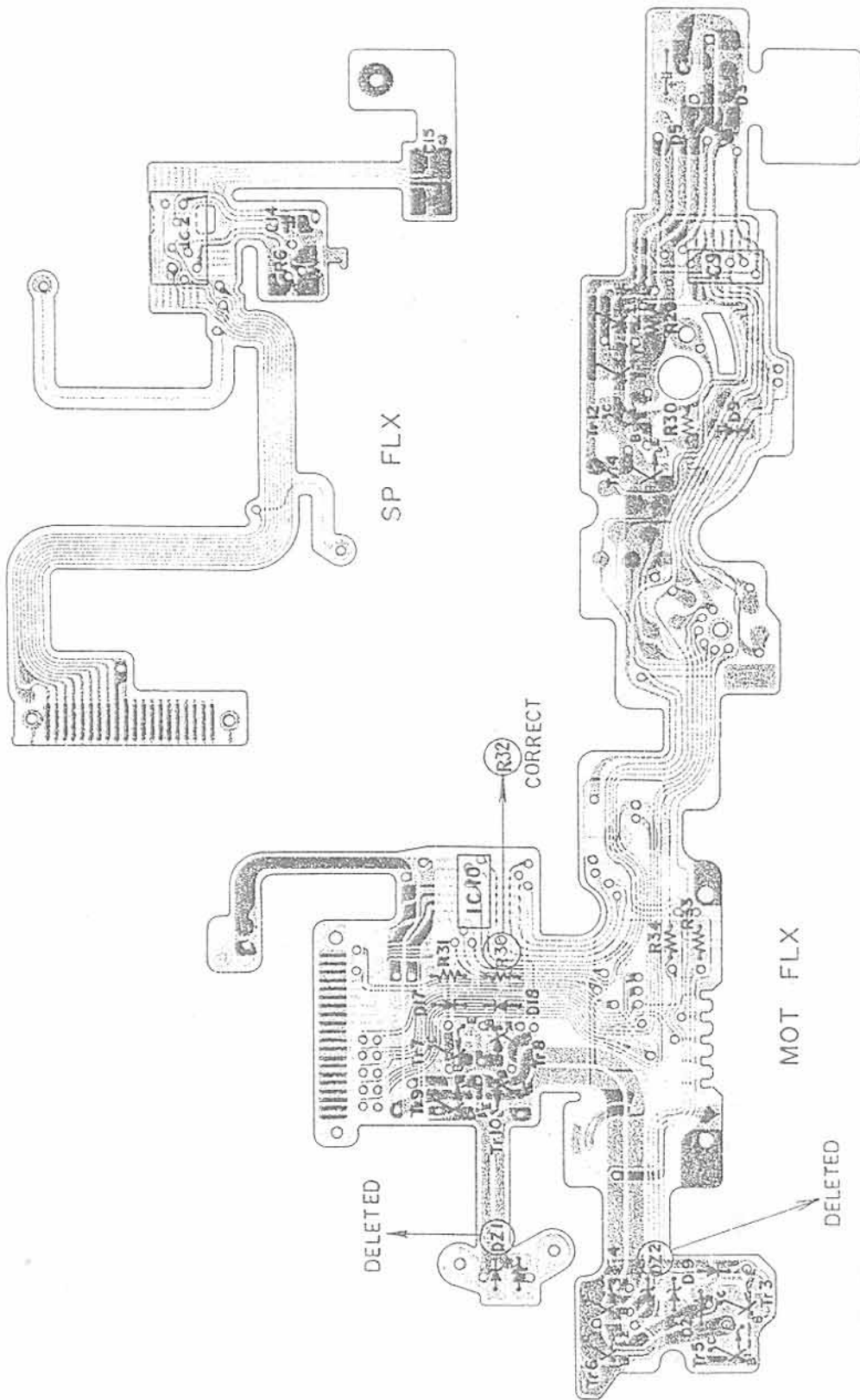
NEW	PARTS NO.	CLASS	QTY	DESCRIPTION
	CA1-3778-000	E	1	RUBBER, STOPPER-A
	CA1-6708-000	E	1	PLATE, SEPARATOR
	CA1-6710-000	E	2	SPACER
	CA1-6751-000	E	1	DAMPER, SHUTTER CURTAIN
	CF1-1721-000	C	2	CURTAIN, SHUTTER
	CS1-6732-000	E	1	SPRING
	CS1-6733-000	E	1	SPRING
	XD1-1102-122		2	WASHER
	XD1-1102-125		2	WASHER
	X91-1436-300		1	SCREW, CROSS-RECESS, PH

() Characters : Indicate components on the blue pattern of the board.



CANON T90

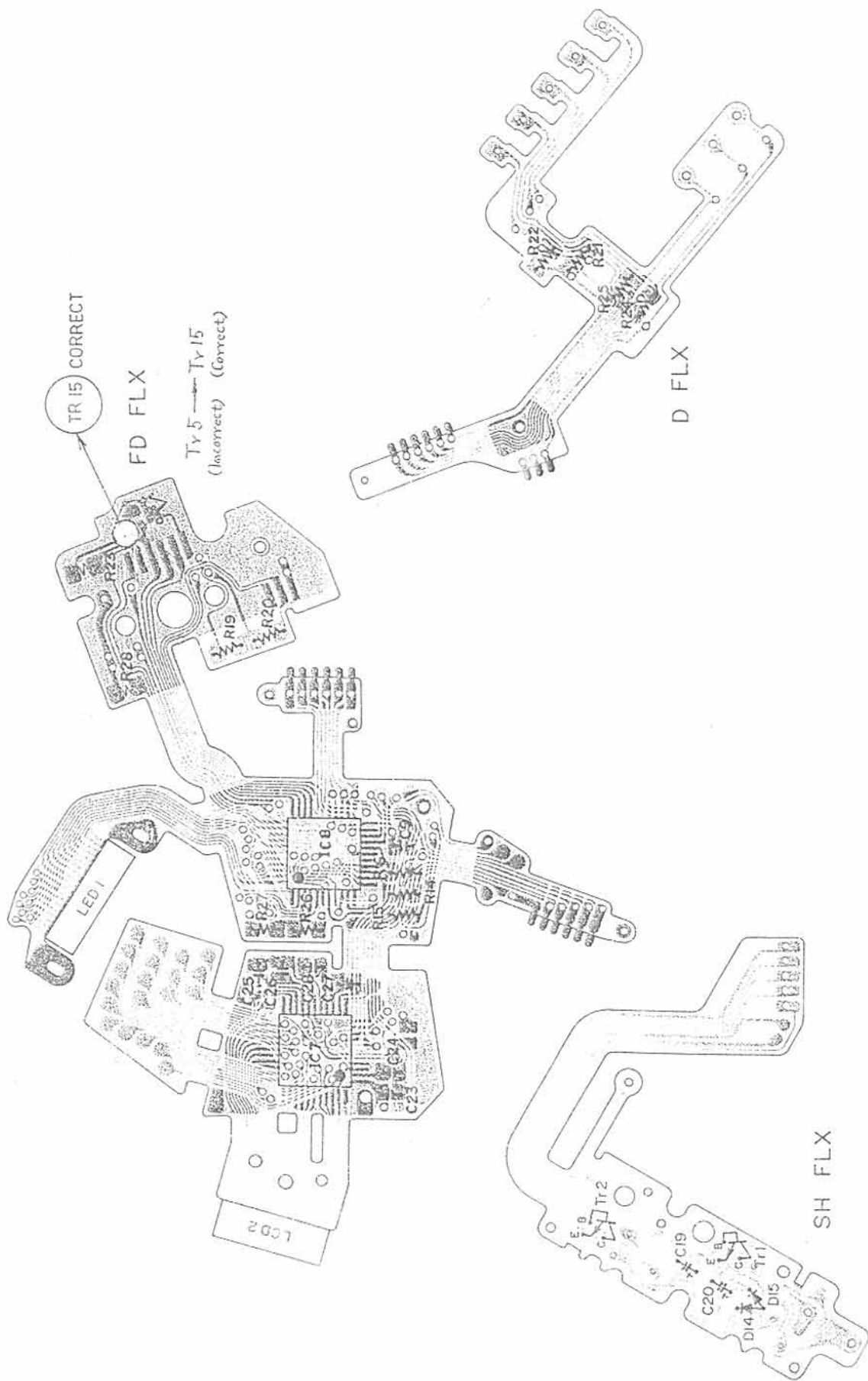
PCB DIAGRAM (MOT, SP FLX)
CY8-1421-102-203



82

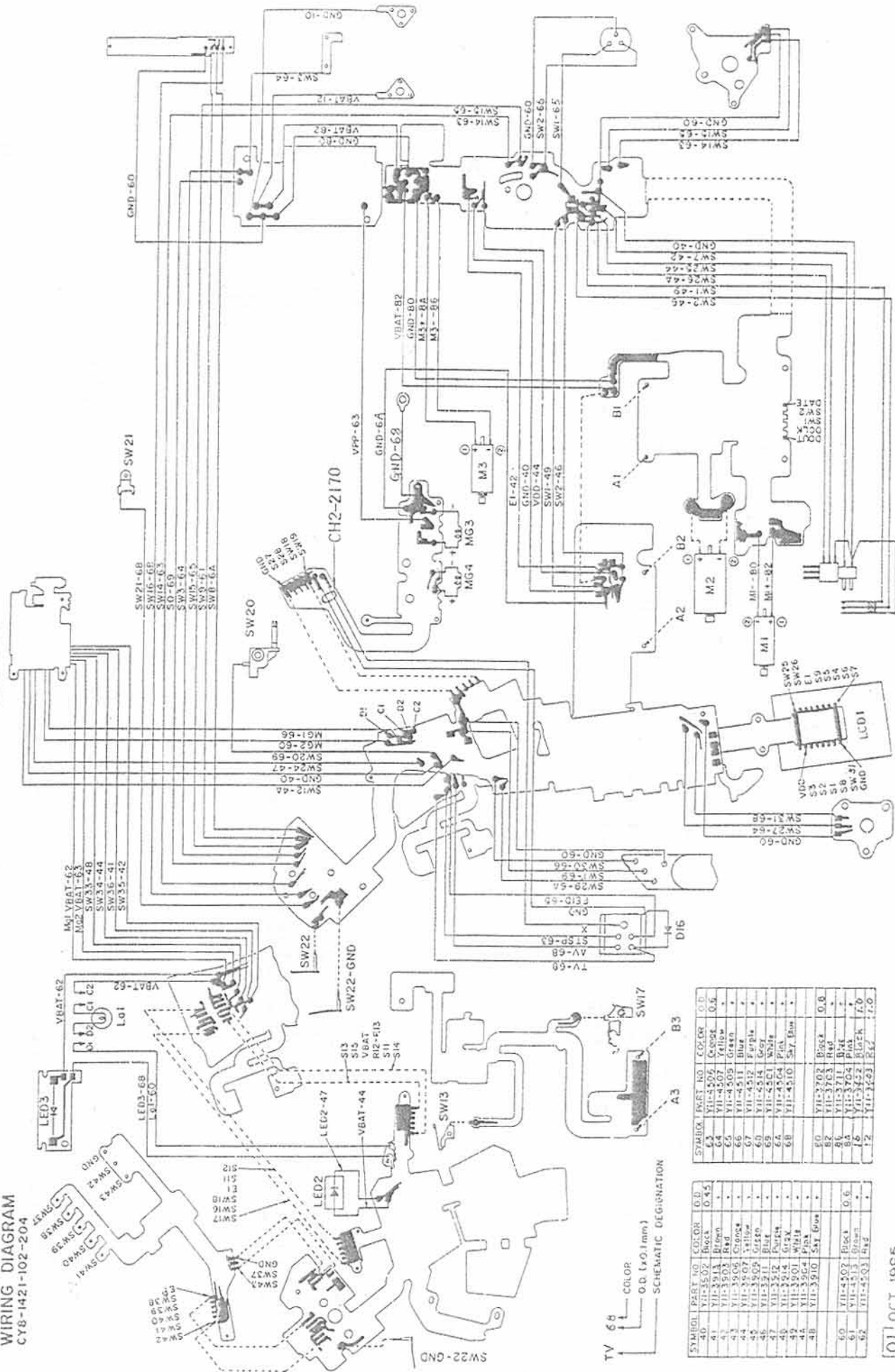
CANON T90

PCB DIAGRAM (FD, SH, D FLX)
CY8-1421-102-202



CANON T90

WIRING DIAGRAM
CY8-1421-102-204



TV 68
 ——— COLOR
 ——— O.D. (x0.1mm)
 ——— SCHEMATIC DESIGNATION

SYMBOL	PART NO.	COLOR	O.D.
43	VII-4506	Green	0.4
44	VII-4507	Yellow	0.4
45	VII-4508	Red	0.4
46	VII-4509	Green	0.4
47	VII-4510	Blue	0.4
48	VII-4511	Purple	0.4
49	VII-4512	Blue	0.4
50	VII-4513	White	0.4
51	VII-4514	White	0.4
52	VII-4515	Pink	0.4
53	VII-4516	Pink	0.4
54	VII-4517	Dark Blue	0.4
55	VII-4518	Dark Blue	0.4
56	VII-4519	Dark Blue	0.4
57	VII-4520	Dark Blue	0.4
58	VII-4521	Dark Blue	0.4
59	VII-4522	Dark Blue	0.4
60	VII-4523	Dark Blue	0.4
61	VII-4524	Dark Blue	0.4
62	VII-4525	Dark Blue	0.4
63	VII-4526	Dark Blue	0.4
64	VII-4527	Dark Blue	0.4
65	VII-4528	Dark Blue	0.4
66	VII-4529	Dark Blue	0.4
67	VII-4530	Dark Blue	0.4
68	VII-4531	Dark Blue	0.4
69	VII-4532	Dark Blue	0.4
70	VII-4533	Dark Blue	0.4
71	VII-4534	Dark Blue	0.4
72	VII-4535	Dark Blue	0.4

SYMBOL	PART NO.	COLOR	O.D.
40	VII-3502	Black	0.45
41	VII-3503	Black	0.45
42	VII-3504	Black	0.45
43	VII-3505	Black	0.45
44	VII-3506	Black	0.45
45	VII-3507	Black	0.45
46	VII-3508	Black	0.45
47	VII-3509	Black	0.45
48	VII-3510	Black	0.45
49	VII-3511	Black	0.45
50	VII-3512	Black	0.45
51	VII-3513	Black	0.45
52	VII-3514	Black	0.45
53	VII-3515	Black	0.45
54	VII-3516	Black	0.45
55	VII-3517	Black	0.45
56	VII-3518	Black	0.45
57	VII-3519	Black	0.45
58	VII-3520	Black	0.45
59	VII-3521	Black	0.45
60	VII-3522	Black	0.45
61	VII-3523	Black	0.45
62	VII-3524	Black	0.45
63	VII-3525	Black	0.45
64	VII-3526	Black	0.45
65	VII-3527	Black	0.45
66	VII-3528	Black	0.45
67	VII-3529	Black	0.45
68	VII-3530	Black	0.45
69	VII-3531	Black	0.45
70	VII-3532	Black	0.45
71	VII-3533	Black	0.45
72	VII-3534	Black	0.45

PARTS LIST

REF. NO. C12-1902

ELECTRIC PARTS & LEADS

SYMBOL	PARTS NO.	CLASS	QTY	DESCRIPTION	REMARKS
DC/DC	CH3-0021-000	D		CONVERTER, DC/DC	
IC 1	CH4-0161-000	D		IC	T2890A
IC 2				IC	T8123
IC 3	CH4-0153-000	D		IC	T7488A
IC 4	CH4-0155-000	D		IC	T1687
IC 5	CH4-0154-000	D		IC	M50753-955FP
IC 6				IC	T7487
IC 7	CH4-0157-000	E		IC	T7486
IC 8	CH4-0158-000	E		IC	T1686
IC 9	CH4-0159-000	E		IC	T8120
IC 10	CH4-0159-000	E		IC	T8120
La 1	WG1-0275-000	D		LAMP	AXL-32
LCD 1	AF7-5002-000	E		LCD, EXTERNAL	
LCD 2	AF7-5003-000	E		LCD, INTERNAL	
LED 1					
LED 2	CH4-0152-000	D		LED	LS067C
LED 3	WG1-0276-000	D		LED	LN01201CAL
M 1	WL1-9059-000	D		MOTOR	DC6V, 2.3W
M 2	WL1-9060-000	D		MOTOR	DC6V, 4.3W
M 3	WL1-9061-000	D		MOTOR	DC6V, 2.3W
R5, 6	VR5-0140-432	E		RESISTOR	4.3 KOHM, 1/8W
	VR5-0140-472	E		RESISTOR	4.7 KOHM, 1/8W
	VR5-0140-512	E		RESISTOR	5.1 KOHM, 1/8W
	VR5-0140-562	E		RESISTOR	5.6 KOHM, 1/8W
	VR5-0140-622	E		RESISTOR	6.2 KOHM, 1/8W
	VR5-0140-682	E		RESISTOR	6.8 KOHM, 1/8W
	VR5-0140-752	E		RESISTOR	7.5 KOHM, 1/8W
	VR5-0140-822	E		RESISTOR	8.2 KOHM, 1/8W
	VR5-0140-912	E		RESISTOR	9.1 KOHM, 1/8W
	VR5-0140-103	E		RESISTOR	10.0 KOHM, 1/8W
	VR5-0140-113	E		RESISTOR	11.0 KOHM, 1/8W
	VR5-0140-123	E		RESISTOR	12.0 KOHM, 1/8W
	VR5-0140-153	E		RESISTOR	15.0 KOHM, 1/8W
	VR5-0140-183	E		RESISTOR	18.0 KOHM, 1/8W
	VR5-0140-223	E		RESISTOR	22.0 KOHM, 1/8W
	VR5-0140-333	E		RESISTOR	33.0 KOHM, 1/8W
	VR5-0140-563	E		RESISTOR	56.0 KOHM, 1/8W
	VR5-0140-104	E		RESISTOR	100.0 KOHM, 1/8W
R7	VR5-0134-121	E		RESISTOR	4.12 KOHM, 1/8W
	VR5-0134-221	E		RESISTOR	4.22 KOHM, 1/8W
	VR5-0134-321	E		RESISTOR	4.32 KOHM, 1/8W
	VR5-0134-421	E		RESISTOR	4.42 KOHM, 1/8W
	VR5-0134-531	E		RESISTOR	4.53 KOHM, 1/8W
	VR5-0134-641	E		RESISTOR	4.64 KOHM, 1/8W
	VR5-0134-751	E		RESISTOR	4.75 KOHM, 1/8W
	VR5-0134-871	E		RESISTOR	4.87 KOHM, 1/8W
	VR5-0134-991	E		RESISTOR	4.99 KOHM, 1/8W
	VR5-0135-111	E		RESISTOR	5.11 KOHM, 1/8W
	VR5-0135-231	E		RESISTOR	5.23 KOHM, 1/8W
	VR5-0135-361	E		RESISTOR	5.36 KOHM, 1/8W
	VR5-0135-491	E		RESISTOR	5.49 KOHM, 1/8W
	VR5-0135-621	E		RESISTOR	5.62 KOHM, 1/8W

85

P A R T S L I S T

Pg 23

REF. NO. C12-1902

ELECTRIC PARTS & LEADS

SYMBOL	PARTS NO.	CLASS	QTY	DESCRIPTION	REMARKS
	VR5-0135-781	E		RESISTOR	5.76 KOHM, 1/8W
	VR5-0135-901	E		RESISTOR	5.90 KOHM, 1/8W
R8	VR5-0131-300	E		RESISTOR	130 OHM, 1/8W
	VR5-0131-950	E		RESISTOR	196 OHM, 1/8W
	VR5-0132-610	E		RESISTOR	261 OHM, 1/8W
	VR5-0133-240	E		RESISTOR	324 OHM, 1/8W
	VR5-0133-920	E		RESISTOR	392 OHM, 1/8W
	VR5-0134-530	E		RESISTOR	453 OHM, 1/8W
	VR5-0135-230	E		RESISTOR	523 OHM, 1/8W
	VR5-0135-900	E		RESISTOR	590 OHM, 1/8W
	VR5-0136-490	E		RESISTOR	649 OHM, 1/8W
	VR5-0137-150	E		RESISTOR	715 OHM, 1/8W
	VR5-0137-870	E		RESISTOR	787 OHM, 1/8W
	VR5-0138-450	E		RESISTOR	845 OHM, 1/8W
	VR5-0139-090	E		RESISTOR	909 OHM, 1/8W
	VR5-0139-760	E		RESISTOR	976 OHM, 1/8W
	VR5-0131-051	E		RESISTOR	1.05 KOHM, 1/8W
	VR5-0131-101	E		RESISTOR	1.10 KOHM, 1/8W
	VR5-0131-181	E		RESISTOR	1.18 KOHM, 1/8W
	VR5-0131-241	E		RESISTOR	1.24 KOHM, 1/8W
	VR5-0131-301	E		RESISTOR	1.30 KOHM, 1/8W
R10	VR5-0131-242	E		RESISTOR	12.4 KOHM, 1/8W
	VR5-0131-272	E		RESISTOR	12.7 KOHM, 1/8W
	VR5-0131-302	E		RESISTOR	13.0 KOHM, 1/8W
	VR5-0131-332	E		RESISTOR	13.3 KOHM, 1/8W
	VR5-0131-372	E		RESISTOR	13.7 KOHM, 1/8W
	VR5-0131-402	E		RESISTOR	14.0 KOHM, 1/8W
	VR5-0131-432	E		RESISTOR	14.3 KOHM, 1/8W
	VR5-0131-472	E		RESISTOR	14.7 KOHM, 1/8W
	VR5-0131-502	E		RESISTOR	15.0 KOHM, 1/8W
	VR5-0131-542	E		RESISTOR	15.4 KOHM, 1/8W
	VR5-0131-582	E		RESISTOR	15.8 KOHM, 1/8W
	VR5-0131-622	E		RESISTOR	16.2 KOHM, 1/8W
	VR5-0131-652	E		RESISTOR	16.5 KOHM, 1/8W
	VR5-0131-692	E		RESISTOR	16.9 KOHM, 1/8W
	VR5-0131-742	E		RESISTOR	17.4 KOHM, 1/8W
	VR5-0131-782	E		RESISTOR	17.8 KOHM, 1/8W
	VR5-0131-822	E		RESISTOR	18.2 KOHM, 1/8W
	VR5-0131-872	E		RESISTOR	18.7 KOHM, 1/8W
	VR5-0131-912	E		RESISTOR	19.1 KOHM, 1/8W
	VR5-0131-962	E		RESISTOR	19.6 KOHM, 1/8W
	VR5-0132-002	E		RESISTOR	20.0 KOHM, 1/8W
R12	VR5-1070-513	E		RESISTOR	51.0 KOHM, 1/16W
R13	VR5-0136-041	E		RESISTOR	6.04 KOHM, 1/8W
	VR5-0136-191	E		RESISTOR	6.19 KOHM, 1/8W
	VR5-0136-341	E		RESISTOR	6.34 KOHM, 1/8W
	VR5-0136-491	E		RESISTOR	6.49 KOHM, 1/8W
	VR5-0136-651	E		RESISTOR	6.65 KOHM, 1/8W
	VR5-0136-811	E		RESISTOR	6.81 KOHM, 1/8W
	VR5-0136-981	E		RESISTOR	6.98 KOHM, 1/8W
	VR5-0137-151	E		RESISTOR	7.15 KOHM, 1/8W
	VR5-0137-321	E		RESISTOR	7.32 KOHM, 1/8W
	VR5-0137-501	E		RESISTOR	7.50 KOHM, 1/8W
	VR5-0137-681	E		RESISTOR	7.68 KOHM, 1/8W
	VR5-0137-871	E		RESISTOR	7.87 KOHM, 1/8W
	VR5-0138-061	E		RESISTOR	8.06 KOHM, 1/8W

PARTS LIST

Pg 24

REF. NO. C12-1902

ELECTRIC PARTS & LEADS

SYMBOL	PARTS NO.	CLASS	QTY	DESCRIPTION	REMARKS
	VR5-0138-251	E		RESISTOR	8.25 KOHM, 1/8W
	VR5-0138-451	E		RESISTOR	8.45 KOHM, 1/8W
	VR5-0138-661	E		RESISTOR	8.66 KOHM, 1/8W
	VR5-0138-871	E		RESISTOR	8.87 KOHM, 1/8W
	VR5-0139-091	E		RESISTOR	9.09 KOHM, 1/8W
	VR5-0139-311	E		RESISTOR	9.31 KOHM, 1/8W
	VR5-0139-531	E		RESISTOR	9.53 KOHM, 1/8W
	VR5-0139-761	E		RESISTOR	9.76 KOHM, 1/8W
R35	X62-7436-000	E		THERMISTOR	ERT-D2FH1333S
Tr 1,2	WA2-0731-000	E		TRANSISTOR	2SC 3265
Tr 3,4	WA2-0411-000	E		TRANSISTOR	2SA 1314
Tr 5,6	WA2-0216-000	E		TRANSISTOR	2SC 2982
Tr 7,8	WA2-0411-000	E		TRANSISTOR	2SA 1314
Tr 9,10	WA2-0216-000	E		TRANSISTOR	2SC 2982
Tr 11,12	WA2-0411-000	E		TRANSISTOR	2SA 1314
Tr 13,14	WA2-0216-000	E		TRANSISTOR	2SC 2982
Tr 15	WA2-0730-000	E		TRANSISTOR	RN 2406
VR1	CH9-0102-000(100)	E		RESISTOR, VARIABLE	9- 13 KOHM
VR2	CH9-0103-000(100)	E		RESISTOR, VARIABLE	15- 30 KOHM
VR3	CH9-0104-000(100)	E		RESISTOR, VARIABLE	18- 44 KOHM
VR4	CH9-0105-000(100)	E		RESISTOR, VARIABLE	54- 93 KOHM
VR5	CH9-0101-000(100)	E		RESISTOR, VARIABLE	0- 10 KOHM
VR6	CH9-0101-000(100)	E		RESISTOR, VARIABLE	0- 10 KOHM
VR7	CH9-0101-000(100)	E		RESISTOR, VARIABLE	0- 10 KOHM
VR8	CH9-0106-000(100)	E		RESISTOR, VARIABLE	0-280 KOHM
Xtal	WK2-0085-000	E		CRYSTAL	DT261S
	CH2-2170-000			LEAD, SHIELDED	BLACK
	Y11-3402-000			LEAD	BLACK
	Y11-3403-000			LEAD	RED
	Y11-3702-000			LEAD	BLACK
	Y11-3703-000			LEAD	RED
	Y11-3704-000			LEAD	PINK
	Y11-3711-000			LEAD	BLUE
	Y11-3901-000			LEAD	WHITE
	Y11-3902-000			LEAD	BLACK
	Y11-3903-000			LEAD	RED
	Y11-3904-000			LEAD	PINK
	Y11-3906-000			LEAD	ORANGE
	Y11-3907-000			LEAD	YELLOW
	Y11-3909-000			LEAD	GREEN
	Y11-3910-000			LEAD	SKY BLUE
	Y11-3911-000			LEAD	BLUE
	Y11-3912-000			LEAD	PURPLE
	Y11-3913-000			LEAD	BROWN
	Y11-3914-000			LEAD	GRAY
	Y11-4501-000			LEAD	WHITE
	Y11-4502-000			LEAD	BLACK
	Y11-4503-000			LEAD	RED
	Y11-4504-000			LEAD	PINK
	Y11-4506-000			LEAD	ORANGE
	Y11-4507-000			LEAD	YELLOW
	Y11-4509-000			LEAD	GREEN
	Y11-4510-000			LEAD	SKY BLUE
	Y11-4511-000			LEAD	BLUE
	Y11-4512-000			LEAD	PURPLE
	Y11-4513-000			LEAD	BROWN
	Y11-4514-000			LEAD	GRAY

87

INDEX OF PARTS NUMBERS

Pg 25

REF. NO. C12-1902

PARTS NO.	PAGE	PARTS NO.	PAGE	PARTS NO.	PAGE
14-4498-000	13	CA1-6351-000	5	CA1-6494-000	10
		CA1-6352-000	5	CA1-6496-000	3
AF7-5002-000	6,22	CA1-6353-000	5	CA1-6497-000	14
AF7-5003-000	8,22	CA1-6354-000	5	CA1-6498-000	3
		CA1-6355-000	5	CA1-6504-000	1
CA1-1113-000 (XXX)	9	CA1-6356-000	5	CA1-6505-000	1
CA1-1147-010	9	CA1-6357-000	5	CA1-6506-000	1
CA1-1160-000 (XXX)	8	CA1-6358-000	5	CA1-6507-000	1
CA1-3334-000	10	CA1-6359-000	3	CA1-6509-000	1
CA1-3385-000	1	CA1-6360-000	3	CA1-6510-000	1
CA1-3588-000	7	CA1-6361-000	1	CA1-6522-000	4
CA1-3778-000	17	CA1-6362-000	1	CA1-6523-000	4
CA1-4156-000	4	CA1-6363-000	1	CA1-6525-000	4
CA1-4158-000	4	CA1-6364-000	1	CA1-6527-000	4
CA1-4174-000	11	CA1-6365-000	1	CA1-6529-000	4
CA1-4177-000 (002)	5	CA1-6366-000	14	CA1-6542-000	8
CA1-4257-000	14	CA1-6367-000	14	CA1-6543-000	8
CA1-4848-000	8	CA1-6368-000	14	CA1-6544-000	8
CA1-5074-000	4	CA1-6369-000	6	CA1-6546-000	8
CA1-5077-000 (XXX)	8	CA1-6371-000	14	CA1-6549-000	8
CA1-5079-000 (XXX)	8	CA1-6382-000	1	CA1-6550-000	8
CA1-5129-010	9	CA1-6383-000	1	CA1-6551-000	8
CA1-5134-000	14	CA1-6386-000	14	CA1-6552-000	8
CA1-5739-000	14	CA1-6389-000	7	CA1-6554-000	8
CA1-5740-000	14	CA1-6390-000	7	CA1-6555-000	8
CA1-5826-000	4	CA1-6391-000	14	CA1-6556-000	8
CA1-5856-000	5	CA1-6414-000	3	CA1-6561-000	6
CA1-5906-000	10	CA1-6424-000	13	CA1-6562-000	6
CA1-6303-000	2	CA1-6427-000	12	CA1-6563-000	6
CA1-6304-000	2	CA1-6436-000	12	CA1-6564-000	6
CA1-6305-000	1	CA1-6440-000 (XXX)	12	CA1-6565-000	6
CA1-6306-000	2	CA1-6441-000 (XXX)	12	CA1-6566-000	6
CA1-6307-000	2	CA1-6443-000	1	CA1-6602-000	10
CA1-6308-000	2	CA1-6445-000	6	CA1-6607-000	9
CA1-6309-000	2	CA1-6449-000 (XXX)	8	CA1-6609-000	9
CA1-6310-000	2	CA1-6451-000	2	CA1-6610-000	10
CA1-6311-000	1	CA1-6452-000	12	CA1-6615-000 (XXX)	10
CA1-6313-000	2	CA1-6454-000	14	CA1-6616-000 (XXX)	10
CA1-6327-000	2	CA1-6455-000	13	CA1-6617-000 (XXX)	10
CA1-6329-080	3	CA1-6456-000	13	CA1-6618-000	10
CA1-6330-000	3	CA1-6457-000	14	CA1-6629-000	9
CA1-6334-000	3	CA1-6469-000	11	CA1-6631-000	10
CA1-6335-000	3	CA1-6472-000	14	CA1-6635-000	10
CA1-6338-000	3	CA1-6475-000	6	CA1-6639-000	9
CA1-6339-000	3	CA1-6478-000	2	CA1-6640-000	9
CA1-6340-000	3	CA1-6484-000 (XXX)	14	CA1-6659-000	10
CA1-6341-000	5	CA1-6485-000	14	CA1-6665-000	9
CA1-6342-000	5	CA1-6486-000	5	CA1-6708-000	17
CA1-6345-000	5	CA1-6487-000	5	CA1-6710-000	17
CA1-6346-000	5	CA1-6488-000	7	CA1-6751-000	17
CA1-6347-000	5	CA1-6489-000	2	CA1-6759-000	15
CA1-6349-000	5	CA1-6491-000	1		
CA1-6350-000	5	CA1-6492-000	11	CA1-1847-000	2

INDEX OF PARTS NUMBERS

Pg 26

REF. NO. C12-1902

PARTS NO.	PAGE	PARTS NO.	PAGE	PARTS NO.	PAGE
CF1-0423-000	4	CH9-0101-000(100)	24	CS1-6720-000 (XXX)	10
CF1-1693-000	8	CH9-0102-000(100)	24	CS1-6731-000	15
CF1-1702-000	10	CH9-0103-000(100)	24	CS1-6732-000	17
CF1-1721-000	17	CH9-0104-000(100)	24	CS1-6733-000	17
CF1-1732-000	15	CH9-0105-000(100)	24	CS1-6735-000	16
		CH9-0106-000(100)	24	CS1-6736-000	16
CG1-0851-000	1			CS1-6737-000	16
CG1-0852-000	4	CN1-5003-000	8	CS1-6739-000	16
CG1-0857-000	7	CN1-5295-000	8	CS1-6740-000	16
CG1-0860-000	1	CN1-5298-000	8	CS1-6741-000	15
CG1-0867-000	9	CN1-5299-000	8	CS1-6742-000	15
CG1-0868-000	9	CN1-5300-000	8		
CG1-0869-000	9	CN1-5301-000	8	CY1-1224-000	11
CG1-0871-000	15	CN1-5303-000	10	CY1-1225-000	2
				CY1-1226-000	2
CG9-2670-000	14	CS1-0802-000	7	CY1-1227-000	2
CG9-2672-000	11	CS1-0803-000	7	CY1-1228-000	2
CG9-2673-000	11	CS1-0804-000	7	CY1-1229-000	2
CG9-2675-000	11	CS1-0805-000	7	CY1-1230-000	3
CG9-2677-000	5	CS1-0808-000	13	CY1-1231-000	3
CG9-2678-000	6	CS1-0810-000	13	CY1-1232-000	7
CG9-2679-000	7	CS1-0817-000	13	CY1-1233-000	10
CG9-2680-000	6	CS1-0820-000	13	CY1-1234-000	9
CG9-2681-000	6	CS1-0822-000	13	CY1-1235-000	11
CG9-2683-000	2	CS1-0823-000	11	CY1-1236-000	6
CG9-2684-000	1	CS1-0825-000	12	CY1-1237-000	12
CG9-2685-000	6	CS1-0826-000	12	CY1-1238-000	12
CG9-2686-000	11	CS1-0829-000	12	CY1-1239-000	12
CG9-2689-000	10	CS1-0891-000	15	CY1-1240-000	12
CG9-2691-000	6	CS1-0892-000	15	CY1-1241-000	12
		CS1-0893-000	16	CY1-1242-000	12
CH1-0501-000	5	CS1-3788-000	13	CY1-1243-000	13
CH1-0502-000	11	CS1-5690-000	1	CY1-1244-000	13
CH1-0504-000	12	CS1-5696-000	4	CY1-1245-000	13
		CS1-5780-000	1	CY1-1246-000	13
CH2-2170-000	24	CS1-5876-000	6	CY1-1247-000	14
CH2-5005-000	3	CS1-5878-000	3	CY1-1248-000	16
CH2-5006-000	6	CS1-5879-000(001)	5	CY1-1249-000	16
CH2-6003-000	6	CS1-5879-000(002)	5	CY1-1250-000	15
CH2-6004-000	8	CS1-5880-000	7	CY1-1251-000	15
CH2-6005-000	6	CS1-5883-000	13	CY1-1252-000	6
		CS1-5889-000	7	CY1-1253-000	8
CH3-0021-000	7,22	CS1-5890-000	2		
		CS1-5898-000 (XXX)	10	VR5-0131-051	23
CH4-0152-000	8,22	CS1-5961-000	7	VR5-0131-101	23
CH4-0153-000	22	CS1-5962-000	7	VR5-0131-181	23
CH4-0154-000	22	CS1-5963-000	3	VR5-0131-241	23
CH4-0155-000	22	CS1-5964-000	3	VR5-0131-242	23
CH4-0157-000	22	CS1-6107-050	8	VR5-0131-272	23
CH4-0158-000	22	CS1-6535-000 (XXX)	14	VR5-0131-300	23
CH4-0159-000	22	CS1-6701-000	3	VR5-0131-301	23
CH4-0161-000	22	CS1-6706-000	13	VR5-0131-362	23
		CS1-6717-000	9	VR5-0131-332	23

INDEX OF PARTS NUMBERS

Pg 27

REF. NO. C12-1902

PARTS NO.	PAGE	PARTS NO.	PAGE	PARTS NO.	PAGE
VR5-0131-372	23	VR5-0137-870	23	XA1-1170-259	9
VR5-0131-402	23	VR5-0137-871	23	XA1-1170-357	14
VR5-0131-432	23	VR5-0138-061	23	XA1-1170-359	14
VR5-0131-472	23	VR5-0138-251	24	XA1-1170-407	12
VR5-0131-502	23	VR5-0138-450	23	XA1-1200-307	12
VR5-0131-542	23	VR5-0138-451	24	XA1-1200-909	7
VR5-0131-582	23	VR5-0138-661	24	XA1-3170-209	10
VR5-0131-622	23	VR5-0138-871	24	XA1-3170-227	9
VR5-0131-652	23	VR5-0139-090	23	XA1-3170-259	9
VR5-0131-692	23	VR5-0139-091	24	XA1-3170-509	1
VR5-0131-742	23	VR5-0139-311	24	XA1-3200-407	9
VR5-0131-782	23	VR5-0139-531	24	XA1-6170-307	8
VR5-0131-822	23	VR5-0139-760	23	XA1-7140-227	15
VR5-0131-872	23	VR5-0139-761	24	XA1-7140-357	7
VR5-0131-912	23	VR5-0140-103	22	XA1-7170-207	12
VR5-0131-960	23	VR5-0140-104	22	XA1-7170-209	5,10
VR5-0131-962	23	VR5-0140-113	22	XA1-7170-257	1, 3
VR5-0132-002	23	VR5-0140-123	22	XA1-7170-307	1,10,12,13
VR5-0132-610	23	VR5-0140-153	22		
VR5-0133-240	23	VR5-0140-183	22	XA4-6170-307	7
VR5-0133-920	23	VR5-0140-223	22	XA4-6200-457	11
VR5-0134-121	22	VR5-0140-333	22	XA4-6200-459	3
VR5-0134-221	22	VR5-0140-432	22	XA4-6200-557	6
VR5-0134-321	22	VR5-0140-472	22	XA4-7170-509	2
VR5-0134-421	22	VR5-0140-512	22	XA4-8170-357	7
VR5-0134-530	23	VR5-0140-562	22	XA4-8200-707	3
VR5-0134-531	22	VR5-0140-563	22	XA4-9170-307	7
VR5-0134-641	22	VR5-0140-622	22	XA4-9170-357	14
VR5-0134-751	22	VR5-0140-682	22		
VR5-0134-871	22	VR5-0140-752	22	XA5-6201-009	6
VR5-0134-991	22	VR5-0140-822	22		
VR5-0135-111	22	VR5-0140-912	22	XD1-1102-120	9
VR5-0135-230	23	VR5-1070-513	23	XD1-1102-121	9
VR5-0135-231	22			XD1-1102-122	17
VR5-0135-361	22	WA2-0216-000	24	XD1-1102-126	17
VR5-0135-491	22	WA2-0411-000	24		
VR5-0135-621	22	WA2-0730-000	24	XD2-1100-072	10
VR5-0135-761	23	WA2-0731-000	24	XD2-1100-102	7,12,13
VR5-0135-900	23			XD2-1100-132	12
VR5-0135-901	23	WG1-0275-000	6,22	XD2-1100-172	12,15
VR5-0136-041	23	WG1-0276-000	22	XD2-1100-152	5
VR5-0136-191	23				
VR5-0136-341	23	WK1-9022-000	6	XD3-0100-102	2
VR5-0136-490	23				
VR5-0136-491	23	WK2-0085-000	24	XG8-1100-571	3
VR5-0136-651	23			XG8-1100-582	5
VR5-0136-811	23	WL1-9059-000	13,22		
VR5-0136-991	23	WL1-9060-000	12,22	X62-7436-000	24
VR5-0137-150	23	WL1-9061-000	7,22		
VR5-0137-151	23			X91-1436-880	16
VR5-0137-321	23	XA1-1170-187	7	X91-1436-910	1
VR5-0137-501	23	XA1-1170-207	9,10	X91-1731-310	11
VR5-0137-681	23	XA1-1170-257	9	X91-1736-120	5

INDEX OF PARTS NUMBERS

Pg 28

REF. NO. C12-1902

PARTS NO.	PAGE	PARTS NO.	PAGE
X91-1736-130	6	Y11-3703-000	24
X91-1736-380	2	Y11-3704-000	24
X91-1737-140	6	Y11-3711-000	24
X91-1737-370	9	Y11-3901-000	24
X91-1737-760	6,14	Y11-3902-000	24
X91-1737-820	16	Y11-3903-000	24
X91-1737-880	1	Y11-3904-000	24
X91-1737-900	1, 2	Y11-3906-000	24
X91-1737-930	1	Y11-3907-000	24
X91-1737-940	8	Y11-3909-000	24
X91-1738-010	9	Y11-3910-000	24
X91-1738-080	10	Y11-3911-000	24
X91-1738-330	1	Y11-3912-000	24
X91-2024-890	3	Y11-3913-000	24
		Y11-3914-000	24
X94-1701-450	9	Y11-4501-000	24
		Y11-4502-000	24
X98-0202-050	9	Y11-4503-000	24
		Y11-4504-000	24
X99-0457-000	1	Y11-4506-000	24
X99-0481-000	14	Y11-4507-000	24
X99-0489-000	7	Y11-4509-000	24
X99-0494-000	2,3,5	Y11-4510-000	24
X99-0496-000	5	Y11-4511-000	24
X99-0527-000	6	Y11-4512-000	24
X99-0528-000	11	Y11-4513-000	24
X99-0529-000	10	Y11-4514-000	24
X99-0549-000	10	Y11-5114-000	24
X99-0550-000	7		
X99-0560-000	5		
X99-0561-000	1		
X99-0562-000	2,11		
X99-0565-000	6,11		
X99-0566-000	14		
X99-0567-000	6		
X99-0568-000	11		
X99-0569-000	11		
X99-0570-000	3		
X99-0571-000	14		
X99-0573-000	4		
X99-0575-000	8		
X99-0577-000	12		
X99-0579-000	7		
X99-0580-000	5		
X99-0581-000	3		
X99-0582-000	4		
X99-0583-000	11		
X99-0584-000	11		
X99-0585-000	11		
Y11-3402-000	24		
Y11-3403-000	24		
Y11-3702-000	24		